

FOUR SEASONS SOLAR PRODUCTS CORP.

5005 VETERANS MEMORIAL HIGHWAY
 HOLBROOK, NEW YORK, 11741
 (PHONE) 1-800-533-0887 - (FAX) 516-218-9076

SYSTEM 5 FRONT SILL DETAILS

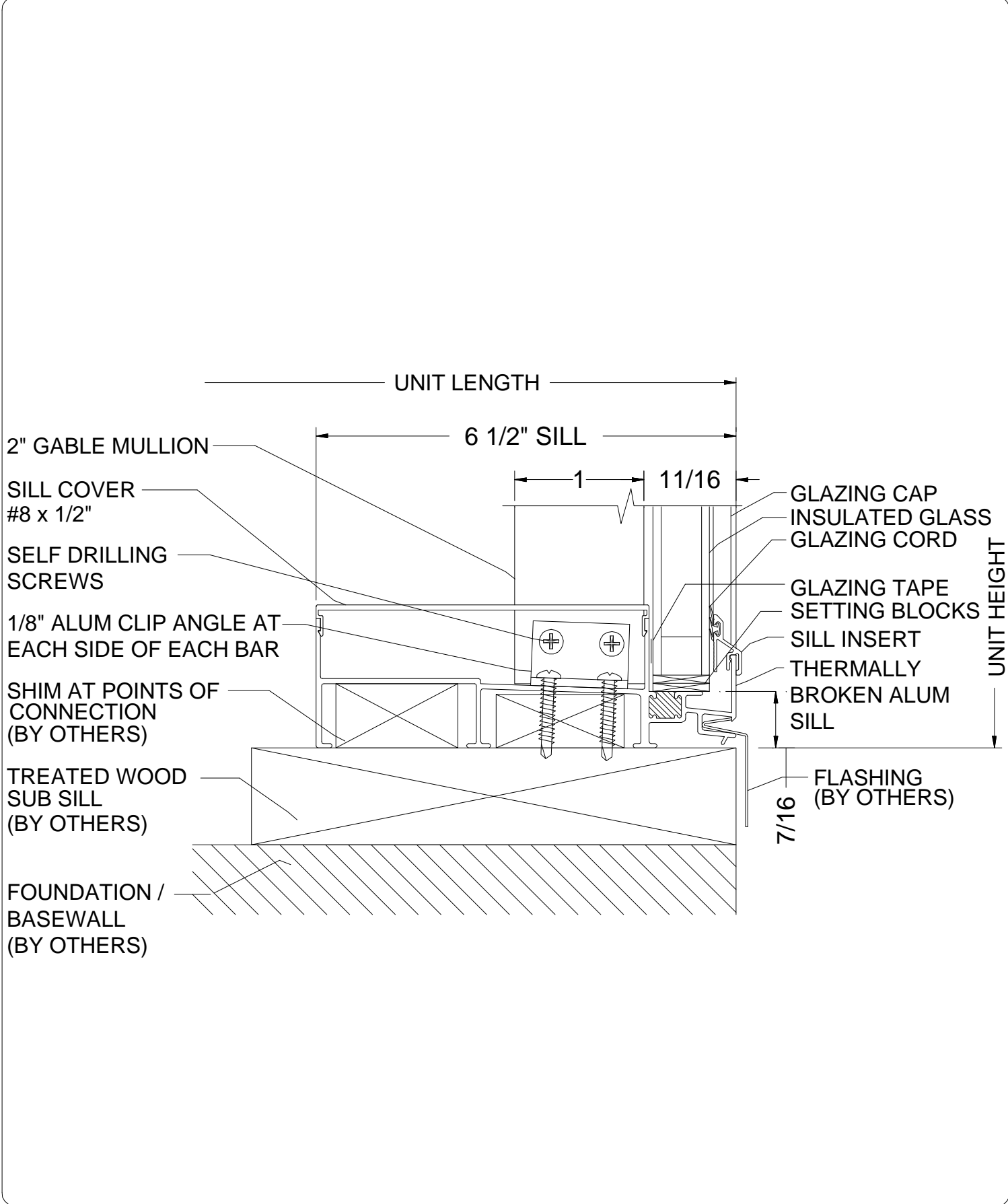
DRAWN BY:

SCALE: 6"=1'-0"

DATE: 01/99

DWG#:

5-A-1



FOUR SEASONS SOLAR PRODUCTS CORP.

5005 VETERANS MEMORIAL HIGHWAY
 HOLBROOK, NEW YORK, 11741
 (PHONE) 1-800-533-0887 - (FAX) 516-218-9076

STSTEM 5 GABLE END SILL DETAIL

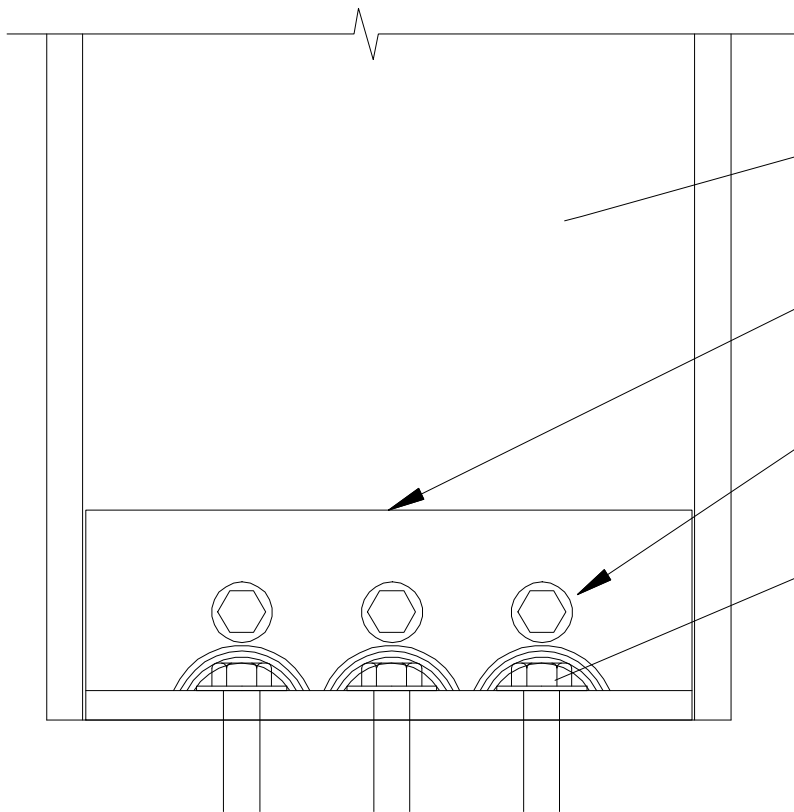
DRAWN BY:

SCALE: 6"=1'-0"

DATE: 01/99

DWG#:

5-A-2



7TB TUBE BEAM
SUBSTRUCTURE

VERTICAL SUBSTRUCTURE
MODIFIED 5CB5 INTERNAL
'U' CLIP ANCHOR

(3) 1/4 x 2 3/4" S.S. THRU BOLTS
(HDW10023)

ADEQUATE FASTENERS
BY INSTALLER
SILICONE SEALANT OVER
ALL FASTENER HEADS

FOUR SEASONS SOLAR PRODUCTS CORP.

5005 VETERANS MEMORIAL HIGHWAY
HOLBROOK, NEW YORK, 11741
(PHONE) 1-800-533-0887 - (FAX) 516-218-9076

SYSTEM 5 SUBSTRUCTURE AT FRONT SILL DETAILS

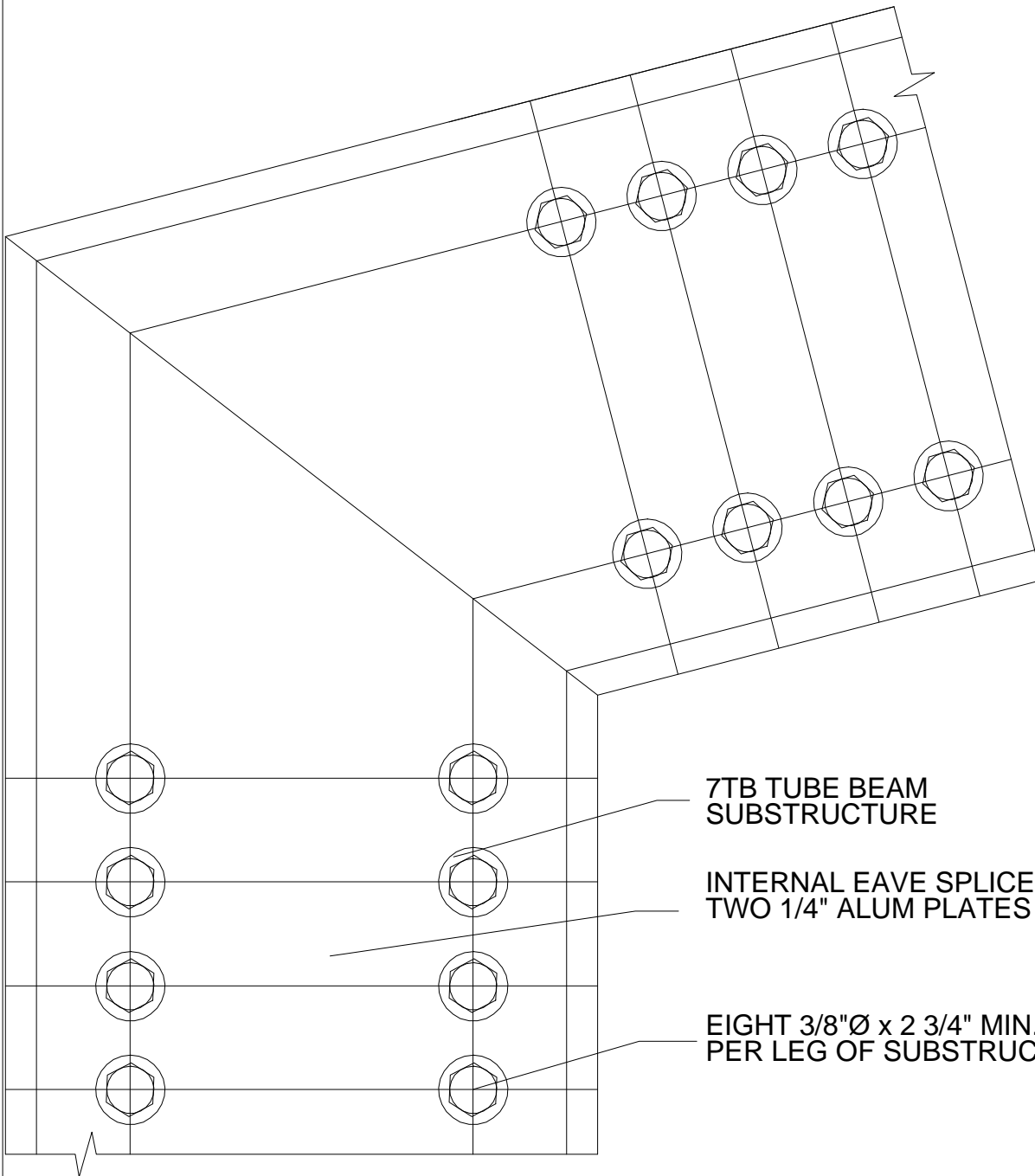
DRAWN BY:

SCALE: 6"=1'-0"

DATE: 01/99

DWG#:

5-A-3



7TB TUBE BEAM
SUBSTRUCTURE

INTERNAL EAVE SPLICE
TWO 1/4" ALUM PLATES

EIGHT 3/8"Ø x 2 3/4" MIN. S.S. THRU BOLT
PER LEG OF SUBSTRUCTURE (HDW10023)

FOUR SEASONS SOLAR PRODUCTS CORP.

5005 VETERANS MEMORIAL HIGHWAY
HOLBROOK, NEW YORK, 11741
(PHONE) 1-800-533-0887 - (FAX) 516-218-9076

SYSTEM 5 SUBSTRUCTURE AT EAVE DETAILS

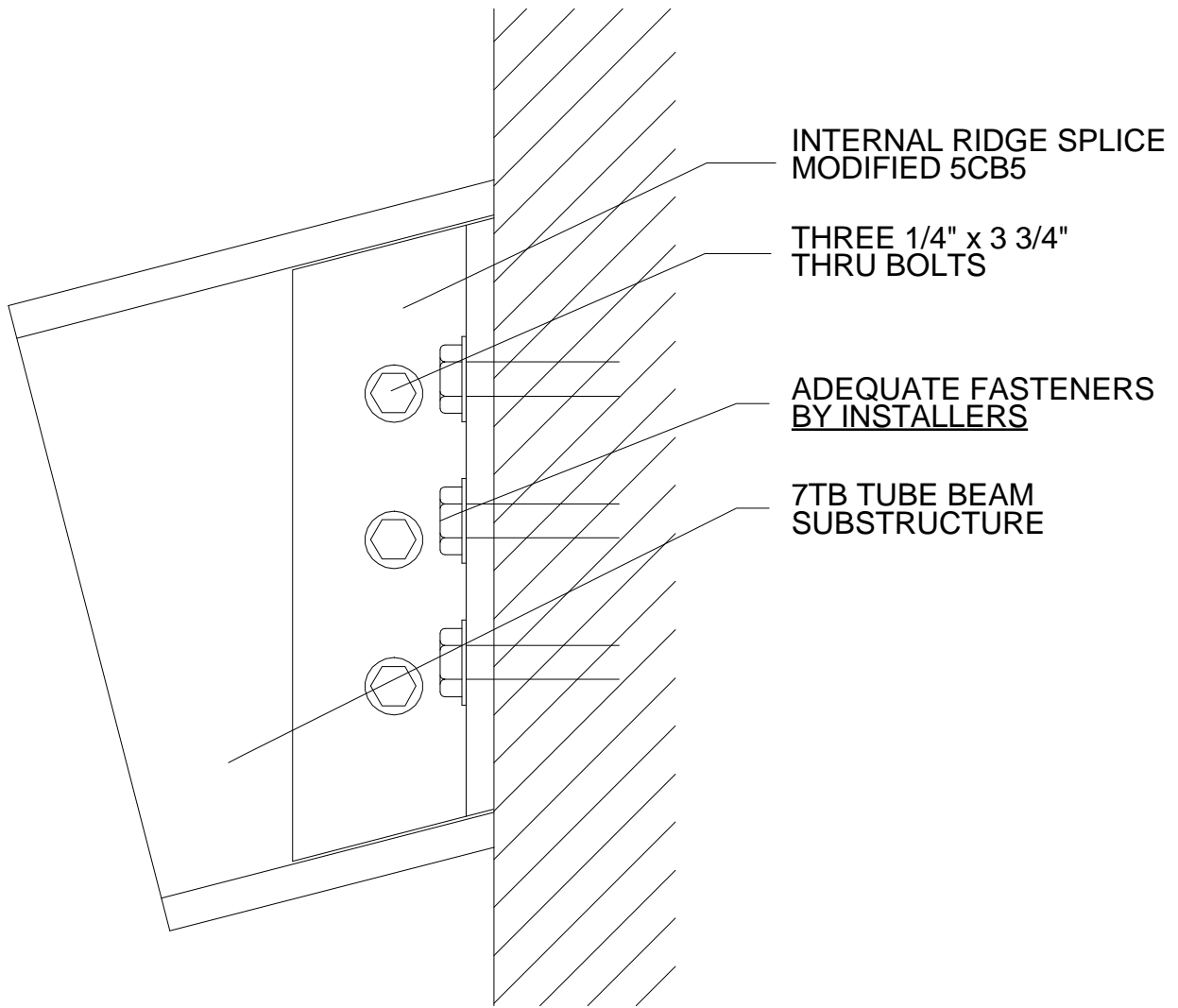
DRAWN BY:

SCALE: 6"=1'-0"

DATE: 01/99

DWG#:

5-A-4



FOUR SEASONS SOLAR PRODUCTS CORP.

5005 VETERANS MEMORIAL HIGHWAY
HOLBROOK, NEW YORK, 11741
(PHONE) 1-800-533-0887 - (FAX) 516-218-9076

SYSTEM 5 SUBSTRUCTURE AT RIDGE DETAILS

DRAWN BY:

SCALE: 6"=1'-0"

DATE: 01/99

DWG#:

5-A-5

FLASHING & CAULKING
(BY OTHERS)

RIDGE

GLAZING CAP

GLAZING BAR

RIDGE BRACKET

SILL/RIDGE TRIM

#8 x 1/2"
SELF DRILLING
SCREWS

3/8" x 3"

3/8-16 x 2 3/4"

RIDGE LEDGER

RIDGE
LEDGER
HEIGHT

5 3/8"

UNIT HEIGHT

UNIT WIDTH

FOUR SEASONS SOLAR PRODUCTS CORP.

5005 VETERANS MEMORIAL HIGHWAY
HOLBROOK, NEW YORK, 11741
(PHONE) 1-800-533-0887 - (FAX) 516-218-9076

SYSTEM 5 RIDGE DETAILS

DRAWN BY:

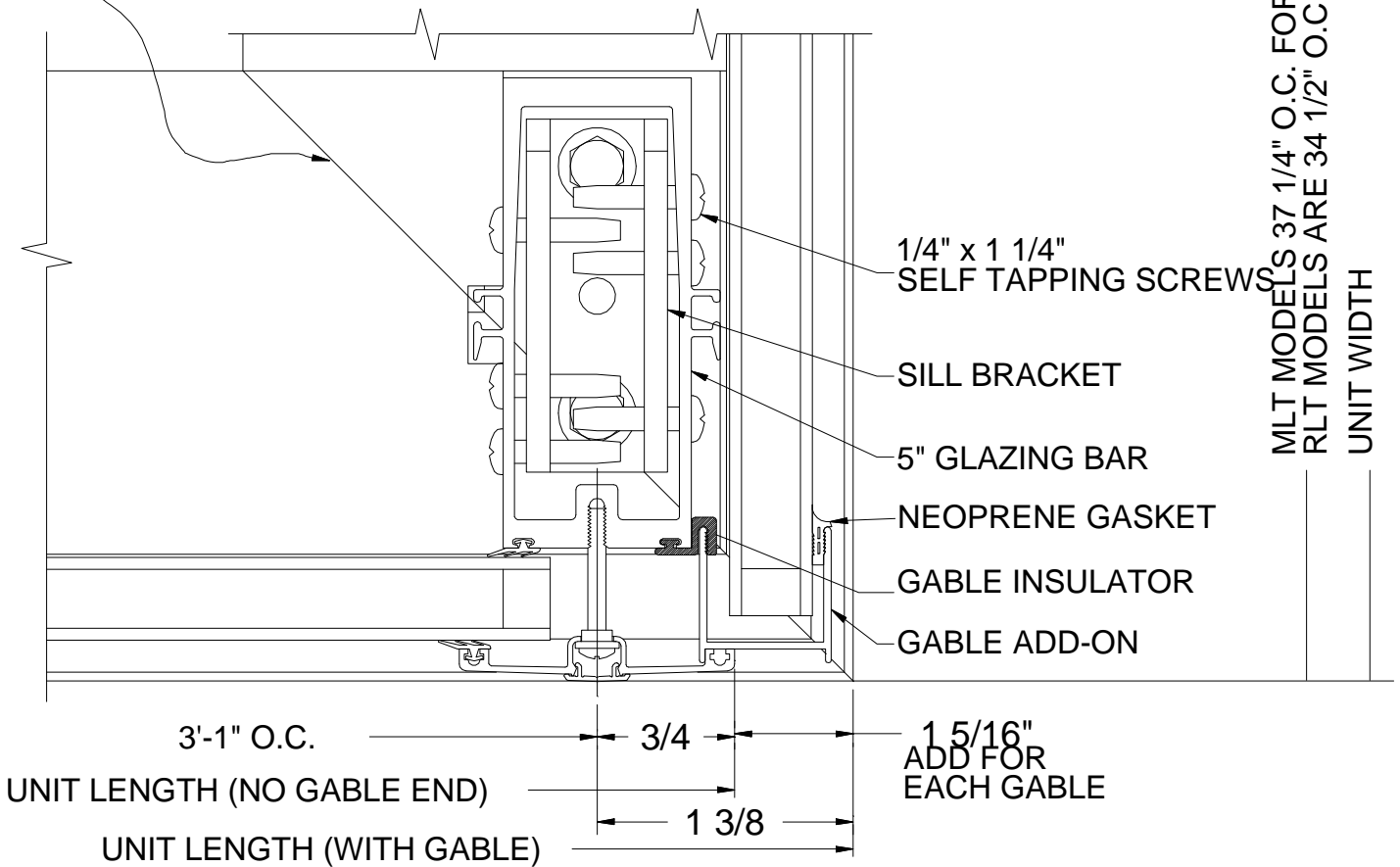
SCALE: 6"=1'-0"

DATE: 01/99

DWG#:

5-B

INSTALLER TO CUT
FRONT SILL TO 45
DEGREES WHEN THERE
IS A GABLE END



FOUR SEASONS SOLAR PRODUCTS CORP.

5005 VETERANS MEMORIAL HIGHWAY
HOLBROOK, NEW YORK, 11741
(PHONE) 1-800-533-0887 - (FAX) 516-218-9076

SYSTEM 5 GABLE CORNER DETAIL

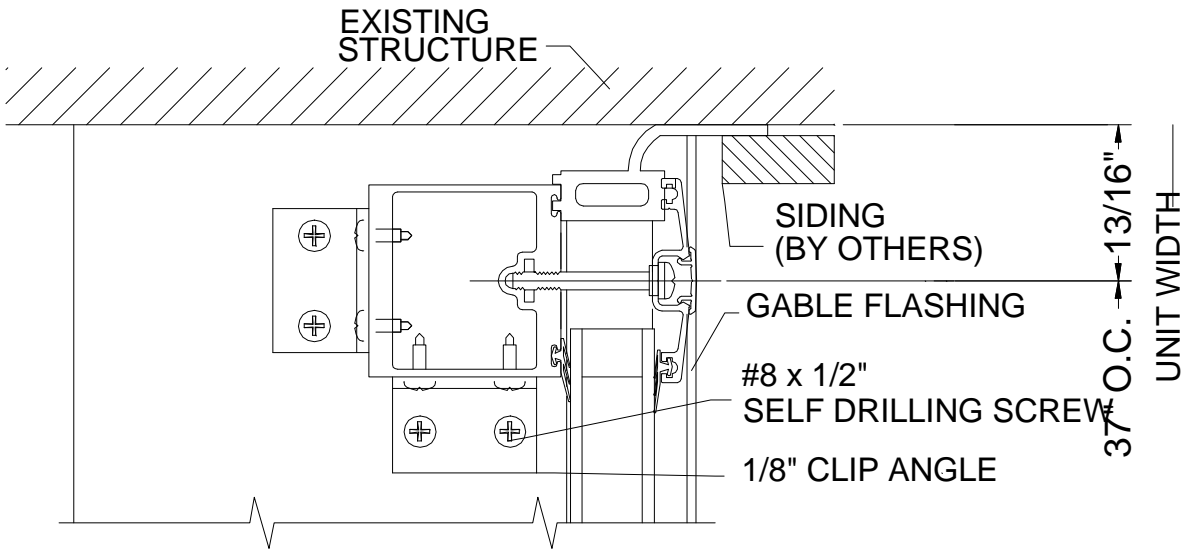
DRAWN BY:

SCALE: 6"=1'-0"

DATE: 01/99

DWG#:

5-C



FOUR SEASONS SOLAR PRODUCTS CORP.
 5005 VETERANS MEMORIAL HIGHWAY
 HOLBROOK, NEW YORK, 11741
 (PHONE) 1-800-533-0887 - (FAX) 516-218-9076

SYSTEM 5 GABLE END WALL DETAIL

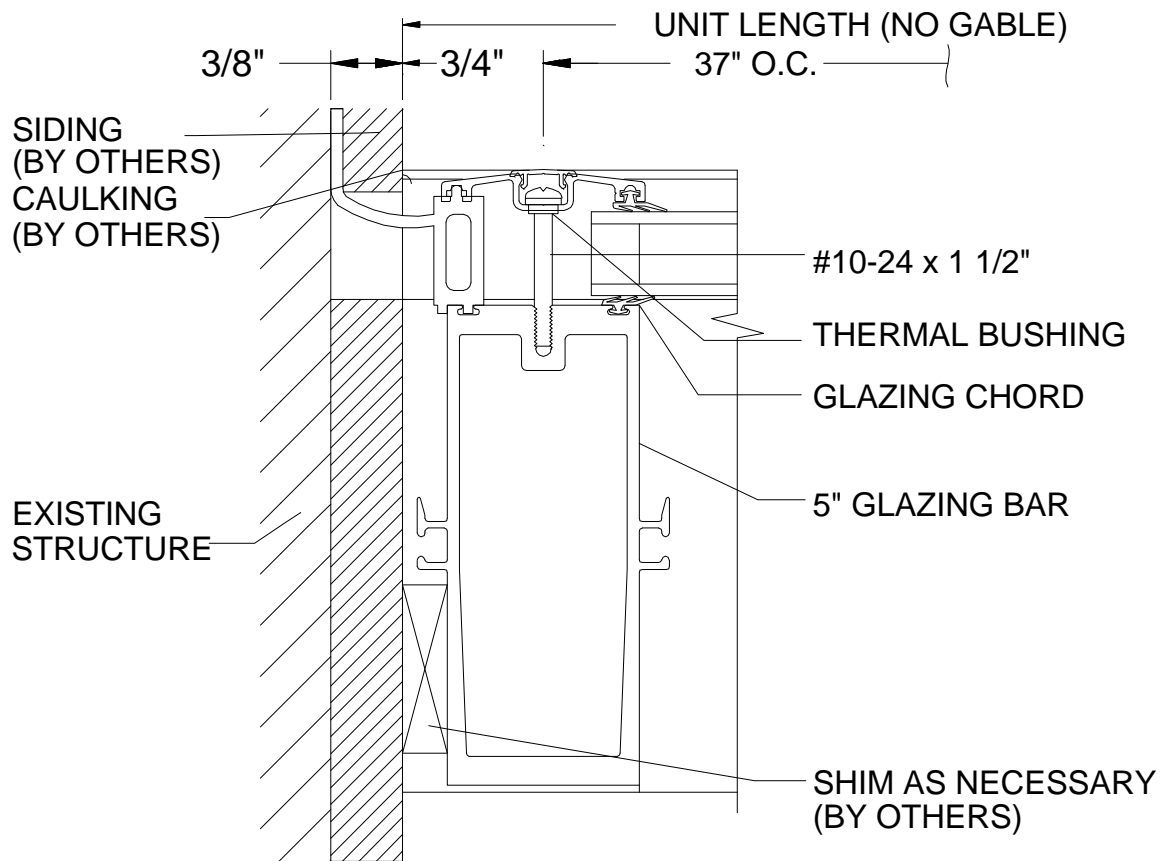
DRAWN BY:

SCALE: 6"=1'-0"

DATE: 01/99

DWG#:

5-D



FOUR SEASONS SOLAR PRODUCTS CORP.

5005 VETERANS MEMORIAL HIGHWAY
 HOLBROOK, NEW YORK, 11741
 (PHONE) 1-800-533-0887 - (FAX) 516-218-9076

SYSTEM 5 NO GABLE END BAR DETAIL

DRAWN BY:

SCALE: 6"=1'-0"

DATE: 01/99

DWG#:

5-E

BREAK OFF GUTTER
AT BREAK AWAY GROOVES
EAVE END CAP

EAVE FLASHING
NOTE: FOR STANDARD
SLOPES BREAK OFF
EAVE FLASHING AT
GROVES.

GUTTER 1 9/16

THERMALLY BROKEN
MUNTIN CONNECTOR
1/4"Ø x 1 1/4" SELF
TAPPING SCREWS INTO
INTERNAL ALUM SPLICE
CASTING

CROSSBAR AT EAVE

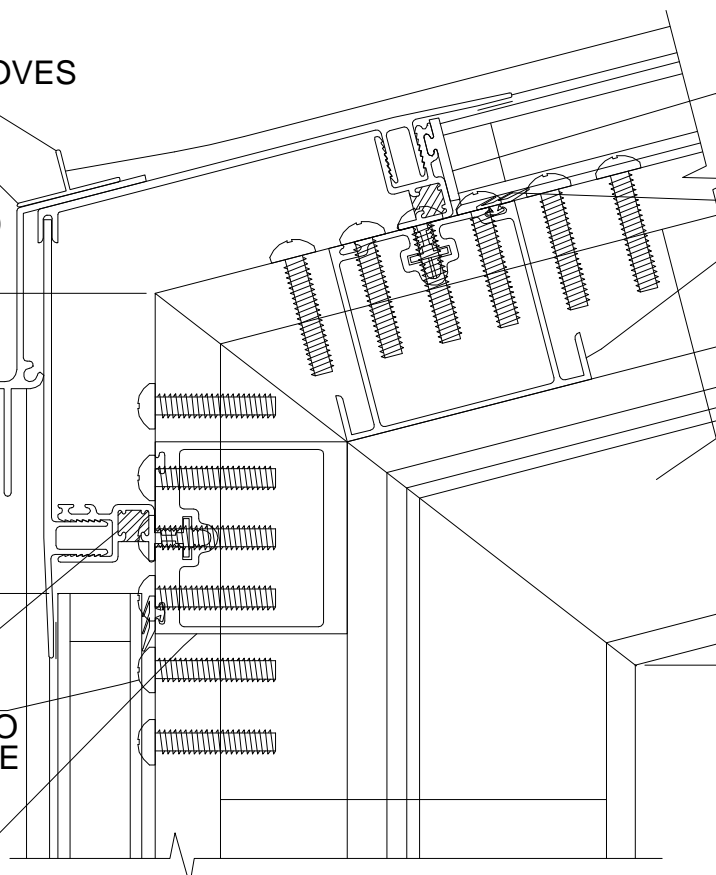
SETTING BLOCKS AT
1/4 POINTS

CONT. GASKETS

ALUM CROSSBAR
WITH CONDENSATION
GUTTERS

INTERNAL ALUM
EAVE CASTING

14.5°



FOUR SEASONS SOLAR PRODUCTS CORP.
5005 VETERANS MEMORIAL HIGHWAY
HOLBROOK, NEW YORK, 11741
(PHONE) 1-800-533-0887 - (FAX) 516-218-9076

SYSTEM 5 EAVE DETAIL

DRAWN BY:

SCALE: 6"=1'-0"

DATE: 01/99

DWG#:

5-F

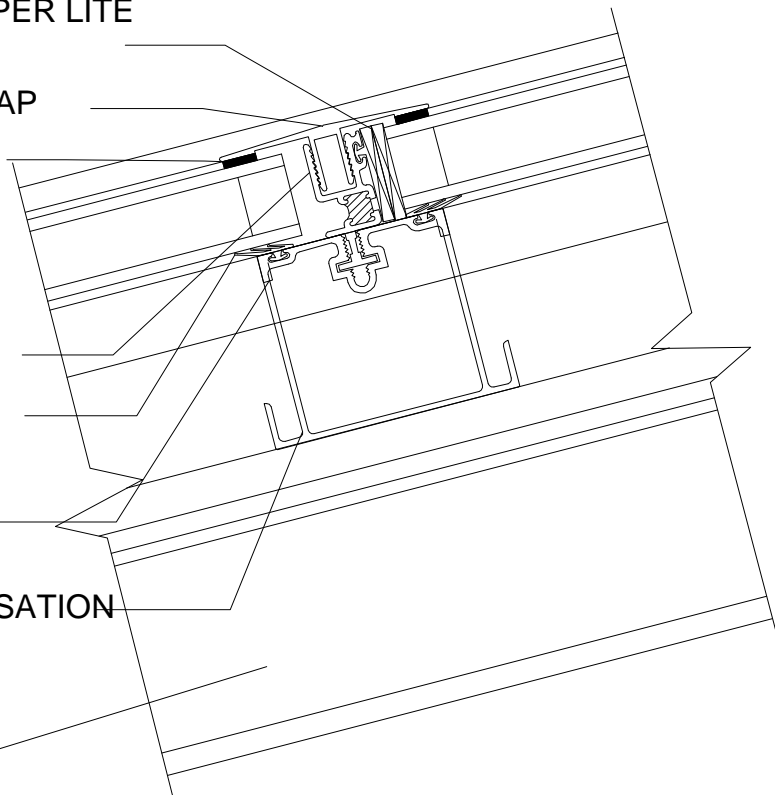
TWO SETTING BLOCKS PER LITE
AT QUARTER POINTS
EXTR'D ALUM MUNTIN CAP
3/8" GLAZING TAPE

ALUM MUNTIN INSERT
GLAZING CORD

CROSS STAMPING
AT C/L EACH BAR

CROSSBAR W/ CONDENSATION
GUTTERS

5" GLAZING BAR



FOUR SEASONS SOLAR PRODUCTS CORP.

5005 VETERANS MEMORIAL HIGHWAY
HOLBROOK, NEW YORK, 11741
(PHONE) 1-800-533-0887 - (FAX) 516-218-9076

SYSTEM 5 CROSS BAR AND MUNTIN DETAIL

DRAWN BY:

SCALE **6" = 1'-0"**

DATE: 01/99

DWG#:

5-G