

S.S ONE-WAY STAMPING AT C/L OF EACH BAR (HDW10801)

ONE 1/4"Ø X 6" S.S THRU-BOLT AT C/L OF EACH BAR TWO S.S. WASHERS PER BOLT (HDW10029)

SILICONE SEALANT BY INSTALLER

TWO SETTING BLOCKS PER LITE AT 1/4 POINTS
CONT. EXTR'D ALUM.

GLASS RETAINER
CONT. EXTR'D GASKET

OPTIONAL INSULATION BY INSTALLER

ONE CLIP ANGLE AT EACH SIDE OF EACH BAR

#8 x 1/2" SCREWS

EAVE TRIM

CONT. 5" EXTR'D ALUM. EAVE BAR

ONE WEEP HOLE AT EACH SIDE OF EACH BAR BY INSTALLER

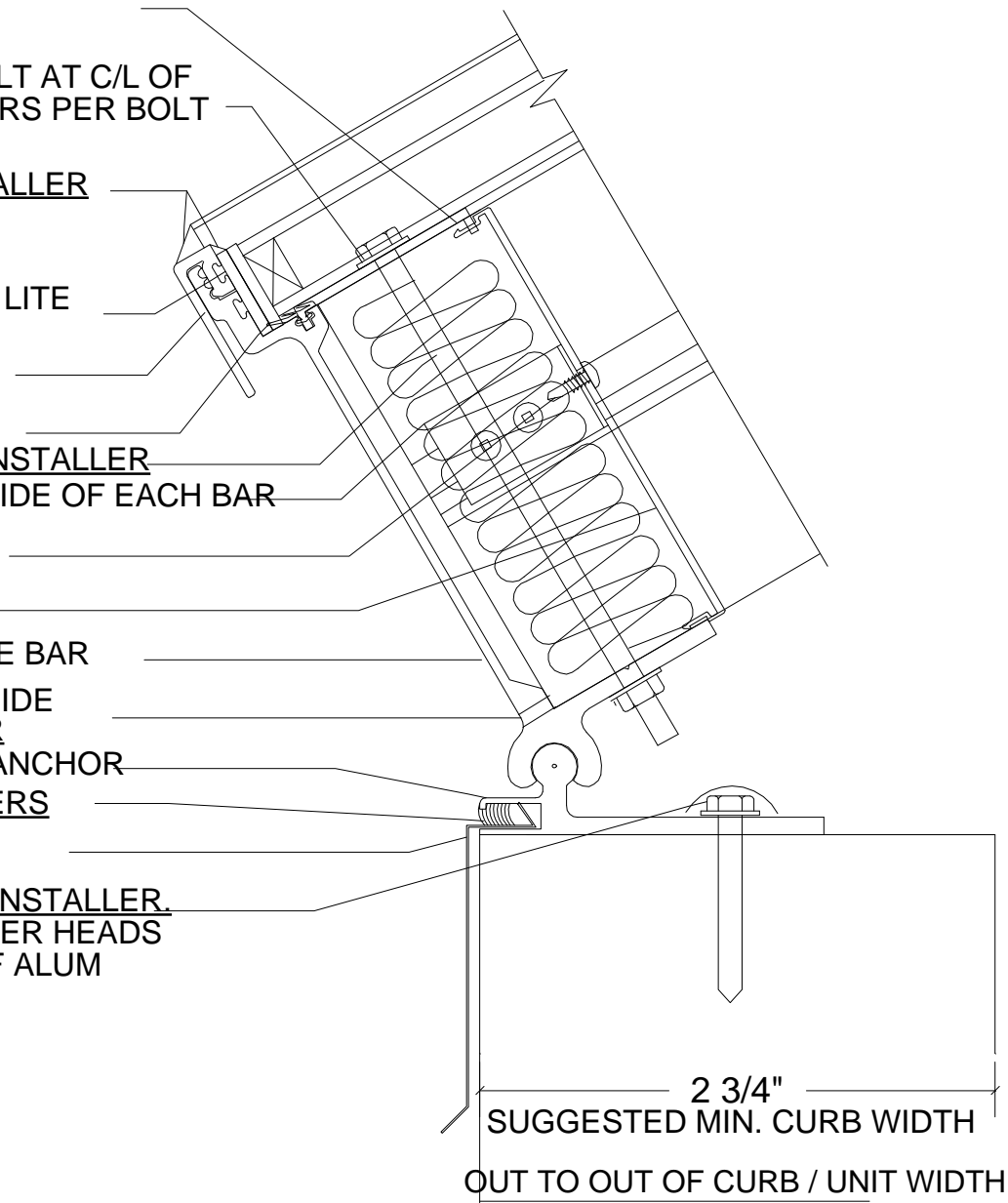
CONT. EXTR'D ALUM. EAVE ANCHOR

SILICONE SEALANT BY OTHERS

.020 ALUM. SILL FLASHING

ADEQUATE FASTENERS BY INSTALLER.

SEALANT OVER ALL FASTENER HEADS AND AT ALL BUTT JOINTS OF ALUM



FOUR SEASONS SOLAR PRODUCTS CORP.

5005 VETERANS MEMORIAL HIGHWAY
HOLBROOK, NEW YORK, 11741
(PHONE) 1-800-533-0887 - (FAX) 516-563-4010

SYSTEM 5 SKYLIGHTS SILL DETAILS

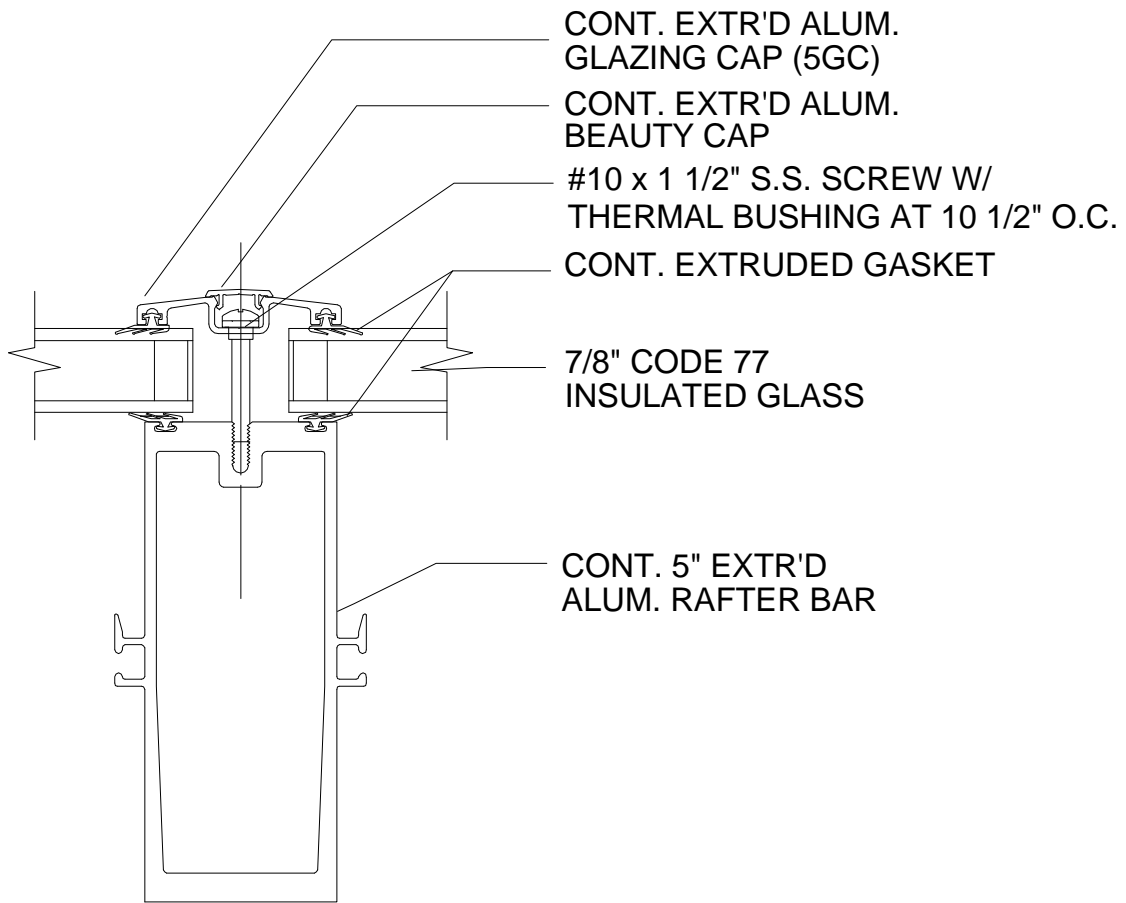
DRAWN BY:

SCALE: 6"=1'-0"

DATE: 01/99

DWG#:

SKY5-A



CONT. EXTR'D ALUM.
GLAZING CAP (5GC)
CONT. EXTR'D ALUM.
BEAUTY CAP
#10 x 1 1/2" S.S. SCREW W/
THERMAL BUSHING AT 10 1/2" O.C.
CONT. EXTRUDED GASKET

7/8" CODE 77
INSULATED GLASS

CONT. 5" EXTR'D
ALUM. RAFTER BAR

FOUR SEASONS SOLAR PRODUCTS CORP.

5005 VETERANS MEMORIAL HIGHWAY
HOLBROOK, NEW YORK, 11741
(PHONE) 1-800-533-0887 - (FAX) 516-563-4010

SYSTEM 5 SKYLIGHTS COMMON RAFTER DETAILS

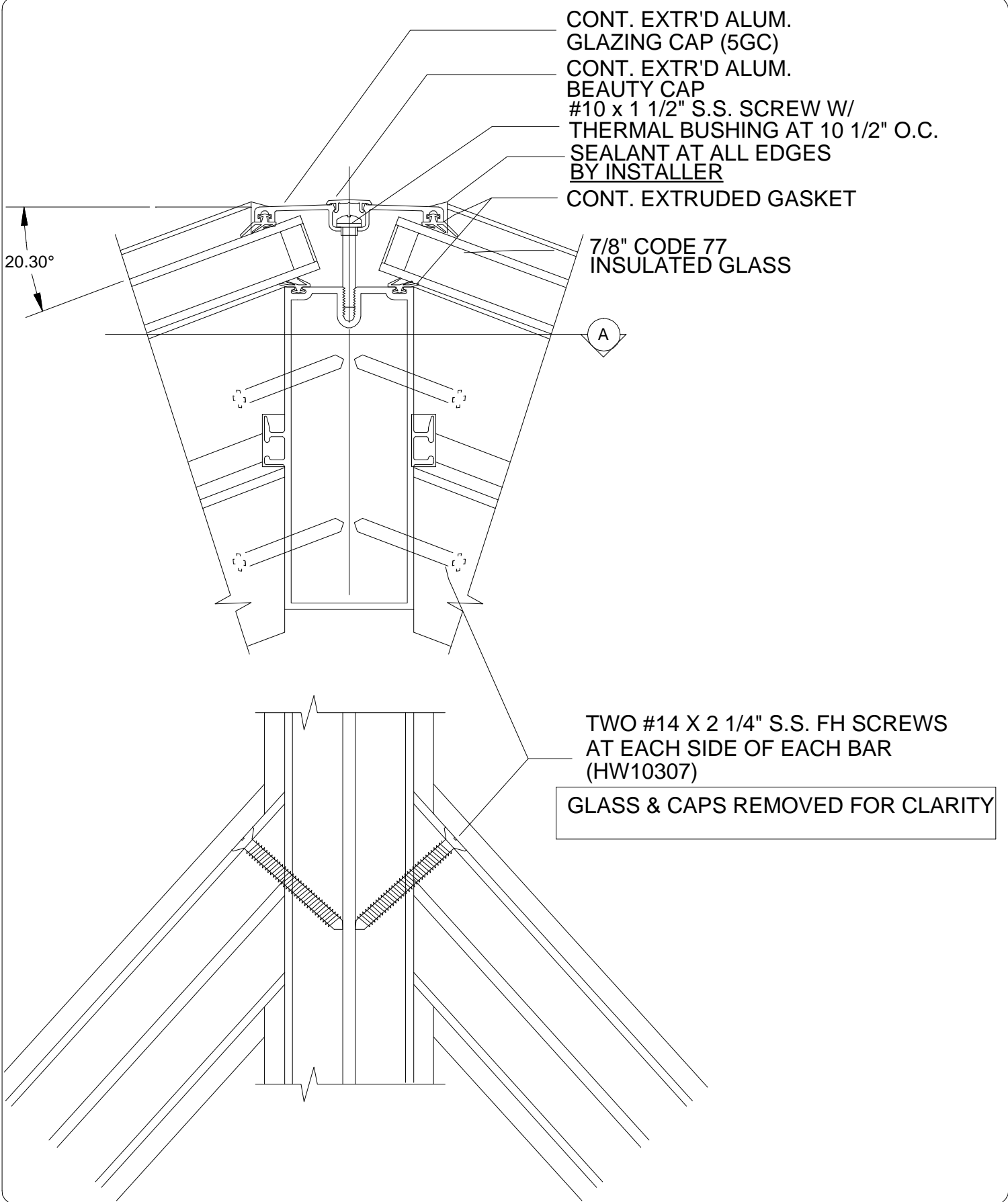
DRAWN BY:

SCALE: 6"=1'-0"

DATE: 01/99

DWG#:

SKY5-B



FOUR SEASONS SOLAR PRODUCTS CORP.
 5005 VETERANS MEMORIAL HIGHWAY
 HOLBROOK, NEW YORK, 11741
 (PHONE) 1-800-533-0887 - (FAX) 516-563-4010

SYSTEM 5 SKYLIGHTS HIP RAFTER DETAILS

DRAWN BY:

SCALE: 6"=1'-0"

DATE: 01/99

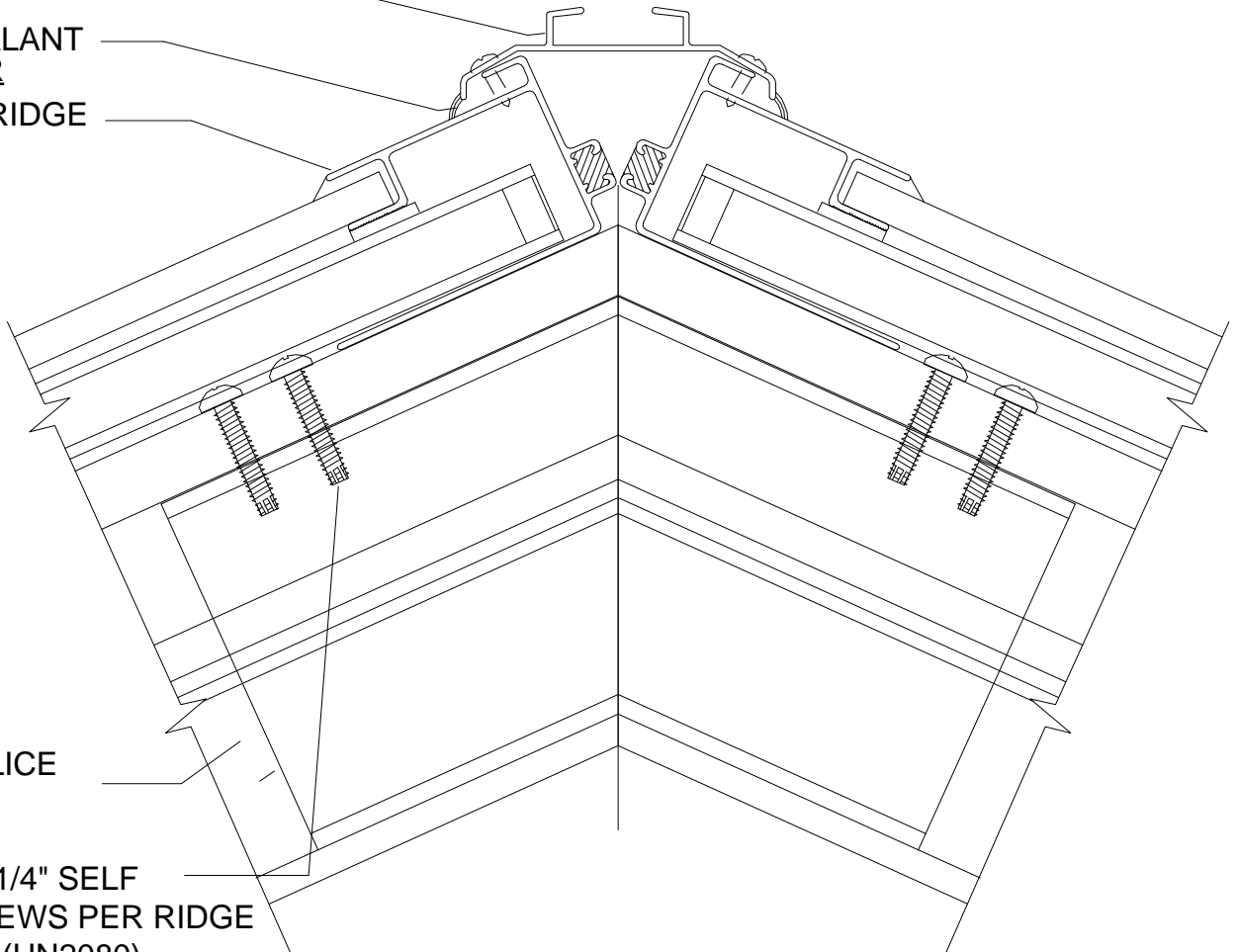
DWG#:

SKY5-C

ALUM RIDGE CAP

SILICONE SEALANT
BY INSTALLER

CONT. ALUM RIDGE



INTERNAL SPLICE
CONNECTOR

FOUR 1/4" x 1 1/4" SELF
TAPPING SCREWS PER RIDGE
CONNECTION (HN2080)

FOUR SEASONS SOLAR PRODUCTS CORP.
5005 VETERANS MEMORIAL HIGHWAY
HOLBROOK, NEW YORK, 11741
(PHONE) 1-800-533-0887 - (FAX) 516-563-4010

SYSTEM 5 SKYLIGHTS RIDGE DETAILS

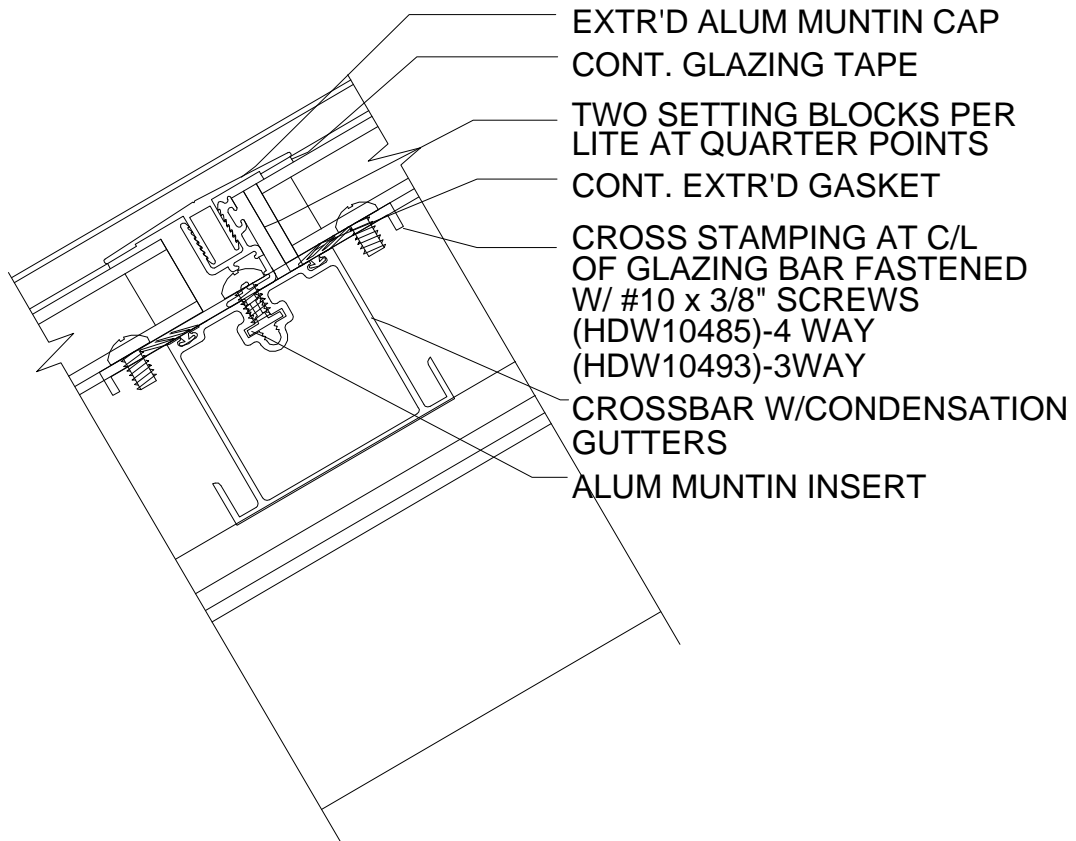
DRAWN BY:

SCALE: 6"=1'-0"

DATE: 01/99

DWG#:

SKY5-D



FOUR SEASONS SOLAR PRODUCTS CORP.

5005 VETERANS MEMORIAL HIGHWAY
 HOLBROOK, NEW YORK, 11741
 (PHONE) 1-800-533-0887 - (FAX) 516-563-4010

SYSTEM 5 SKYLIGHTS CROSS MUNTIN DETAILS

DRAWN BY:

SCALE: 6"=1'-0"

DATE: 01/99

DWG#:

SKY5-E

.040 ALUM. CLOSURE

#8 SCREW TO FASTEN COVER.
LOCATE AT C/L EACH BAR

SEALANT AT ALL EDGES
BY INSTALLER

C/L

TWO 1/4" x 1 1/4"
SELF TAPPING SCREWS
PER BAR
(HN2080)

GLASS & CAP NOT
SHOWN FOR CLARITY

INTERNAL ALUM
SPLICE AT RIDGE
CONNECTION
(CN4908)

TWO SIDED TAPE AS
NECESSARY TO ADHERE
CLOSURE TO BAR

FOUR 1/2"Ø X 2 3/4" S.S.
THRU BOLTS AT RIDGE
CONNECTION
(HDW10431)

SIX 1/4" x 1 1/4"
SELF TAPPING SCREWS
PER CONNECTION
(HN2080)

TWO 1/4"Ø X 6"
S.S. THRU BOLT
AT C/L EACH
RAFTER
(HDW10029)

3/16" THK ALUM
PLATE TO FORM
COMPRESSION RING

.040 ALUM. CLOSURE

1 5/16"

1 3/4"

2 3/16"

2 1/2"

FOUR SEASONS SOLAR PRODUCTS CORP.

5005 VETERANS MEMORIAL HIGHWAY
HOLBROOK, NEW YORK, 11741
(PHONE) 1-800-533-0887 - (FAX) 516-563-4010

SYSTEM 5 SKYLIGHTS COMPRESSION RING DETAILS

DRAWN BY:

SCALE: 6"=1'-0"

DATE: 01/99

DWG#:

SKY5-F