

**FOUR SEASONS SOLAR PRODUCTS CORP.**

5005 VETERANS MEMORIAL HIGHWAY  
HOLBROOK, NEW YORK, 11741  
(PHONE) 1-800-533-0887 - (FAX) 516-218-9076

**SYSTEM 4 SILL DETAIL**

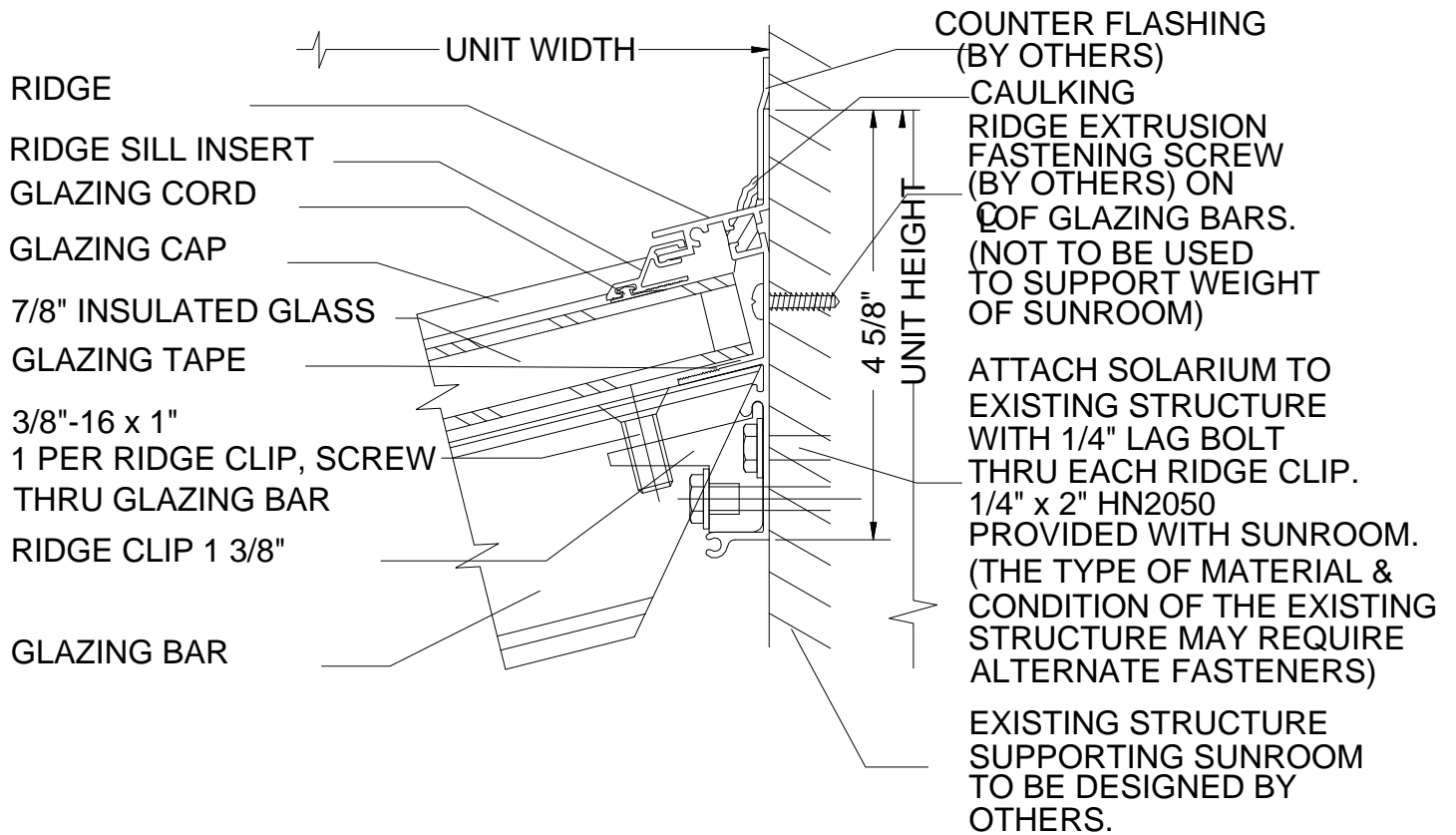
DRAWN BY:

SCALE: 6"=1'-0"

DATE: 01/99

DWG#:

**4-A-1**



**FOUR SEASONS SOLAR PRODUCTS CORP.**

5005 VETERANS MEMORIAL HIGHWAY  
HOLBROOK, NEW YORK, 11741  
(PHONE) 1-800-533-0887 - (FAX) 516-218-9076

**SYSTEM 4 RIDGE DETAIL**

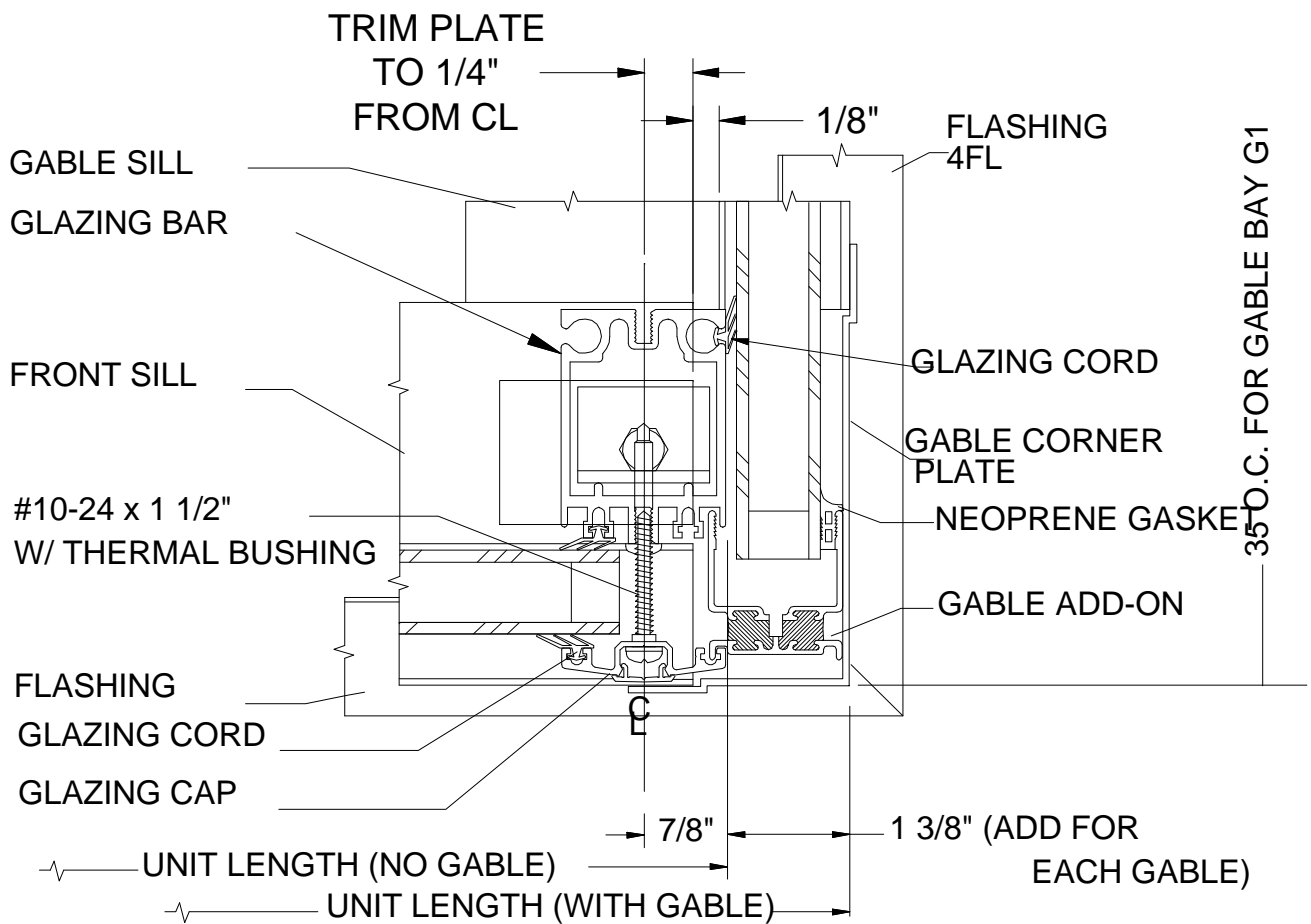
DRAWN BY:

SCALE: 6"=1'-0"

DATE: 01/99

DWG#:

**4-B**



**FOUR SEASONS SOLAR PRODUCTS CORP.**

5005 VETERANS MEMORIAL HIGHWAY  
HOLBROOK, NEW YORK, 11741  
(PHONE) 1-800-533-0887 - (FAX) 516-218-9076

**SYSTEM 4 CORNER DETAIL**

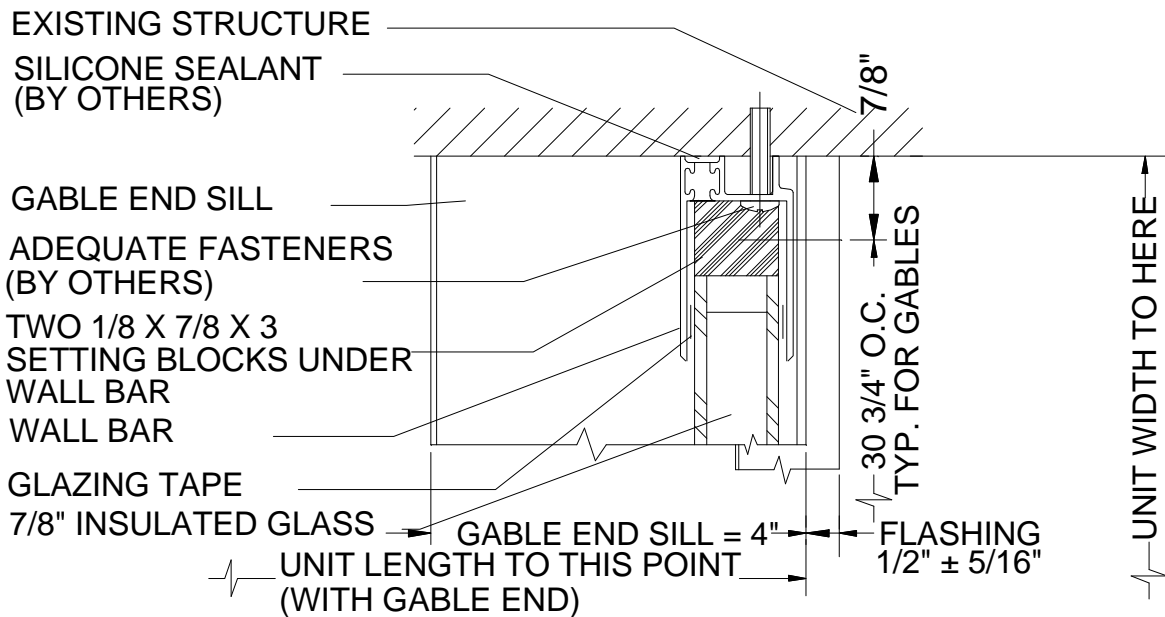
DRAWN BY:

SCALE: 6"=1'-0"

DATE: 01/99

DWG#:

**4-C**



FOUR SEASONS SOLAR PRODUCTS CORP.  
 5005 VETERANS MEMORIAL HIGHWAY  
 HOLBROOK, NEW YORK, 11741  
 (PHONE) 1-800-533-0887 - (FAX) 516-218-9076

SYSTEM 4 WALL BAR DETAIL

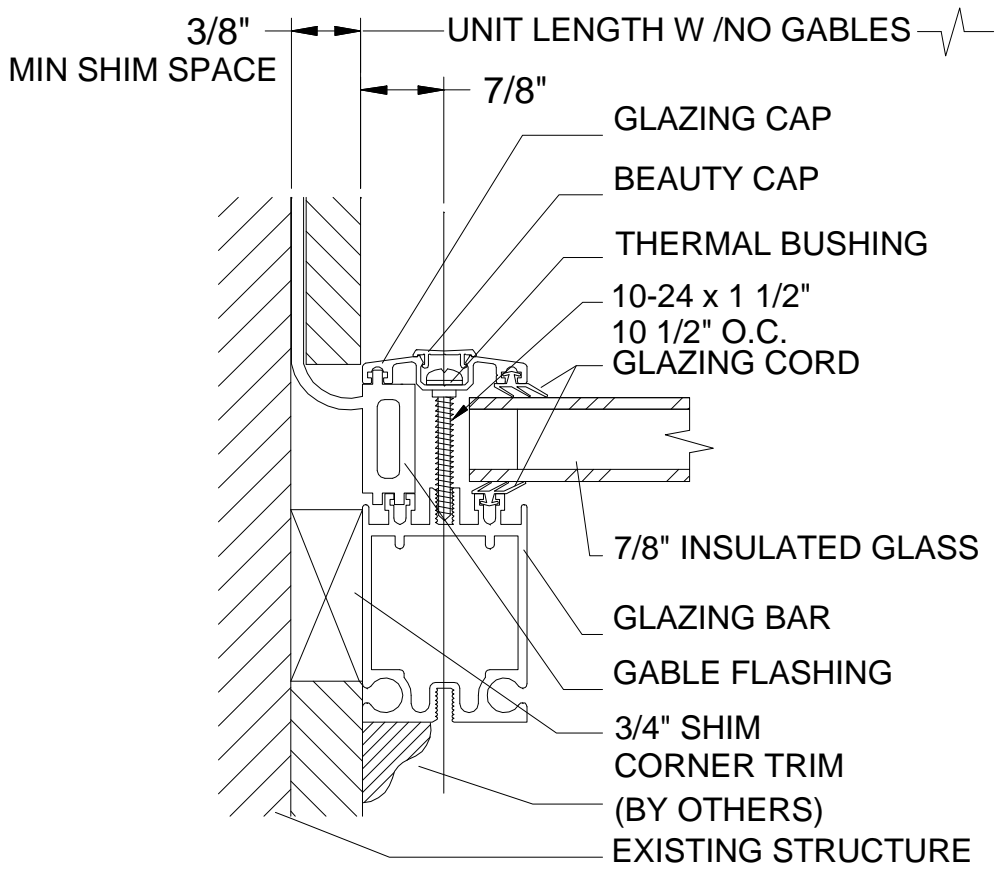
DRAWN BY:

SCALE: 6"=1'-0"

DATE: 01/99

DWG#:

4-D



FOUR SEASONS SOLAR PRODUCTS CORP.  
5005 VETERANS MEMORIAL HIGHWAY

(PHONE) 516-633-0828 (FAX) 516-218-9076

SYSTEM 4 NO GABLE END DETAIL

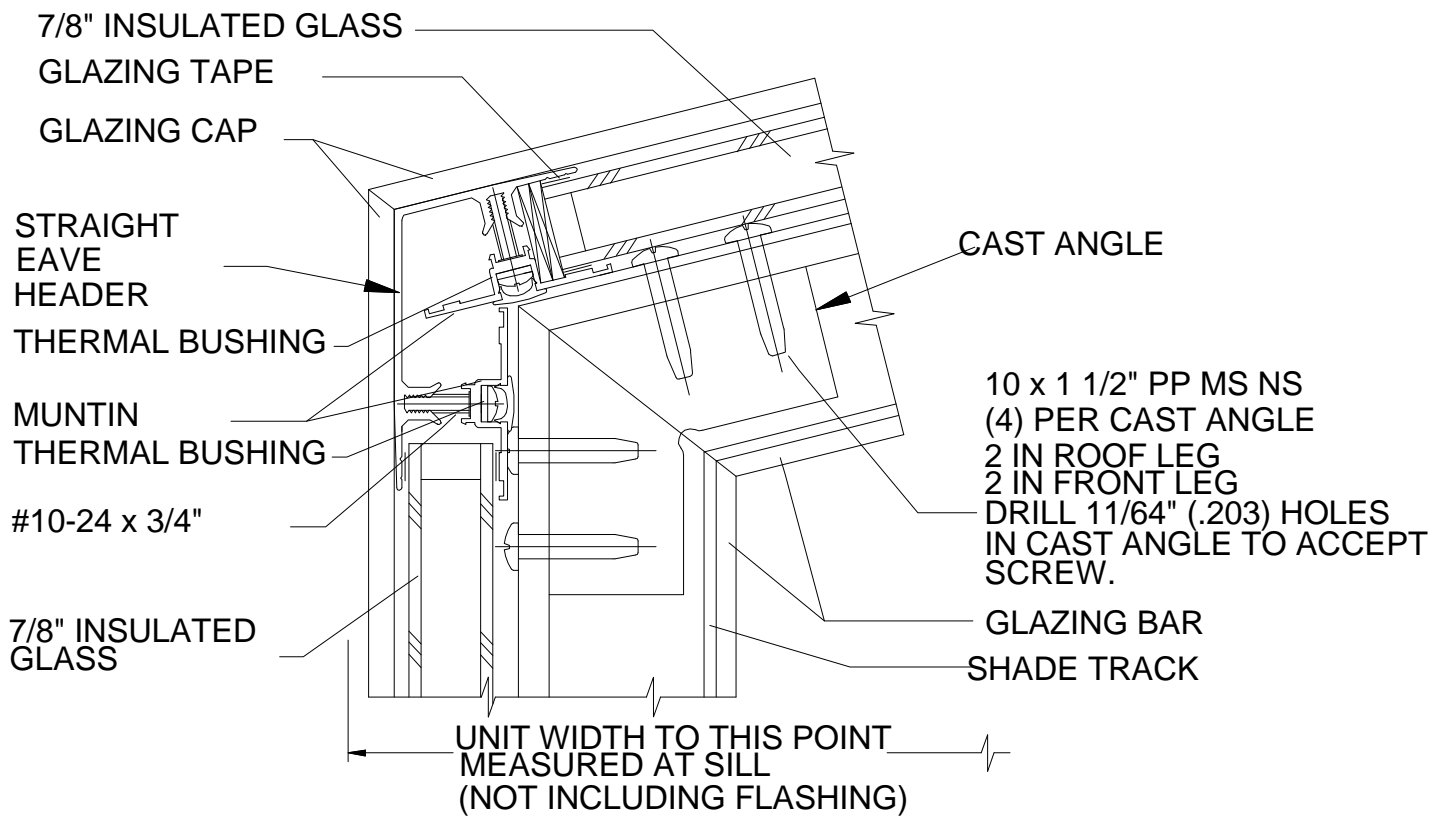
DRAWN BY:

SCALE: 6"=1'-0"

DATE: 01/99

DWG#:

4-E



FOUR SEASONS SOLAR PRODUCTS CORP.  
 5005 VETERANS MEMORIAL HIGHWAY  
 HOLBROOK, NEW YORK, 11741  
 (PHONE) 1-800-533-0887 - (FAX) 516-218-9076

SYSTEM 4 EAVE DETAIL

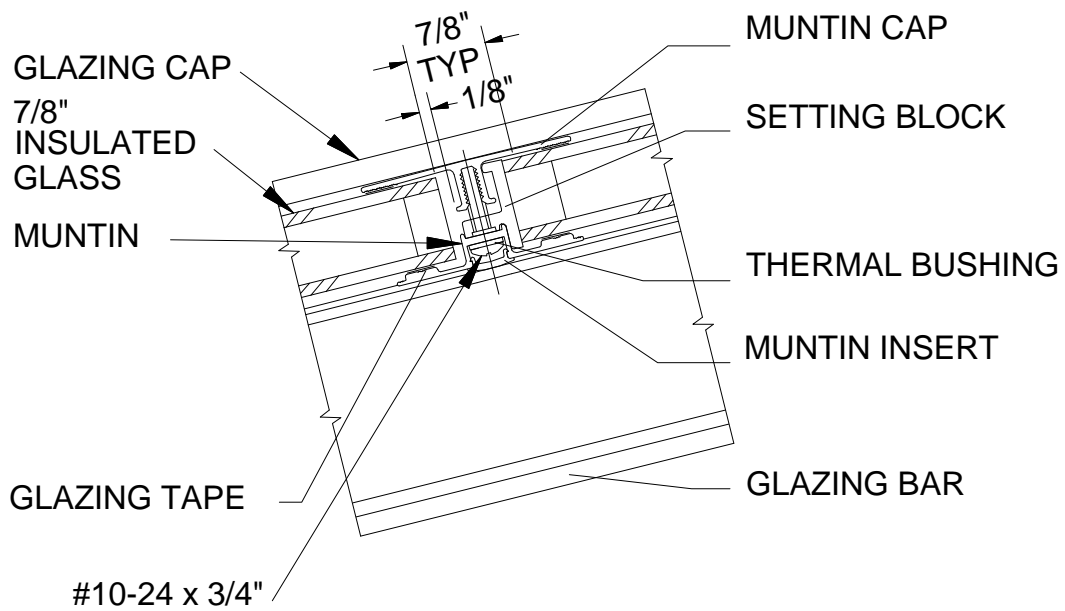
DRAWN BY:

SCALE: 6"=1'-0"

DATE: 01/99

DWG#:

4-F



**FOUR SEASONS SOLAR PRODUCTS CORP.**

5005 VETERANS MEMORIAL HIGHWAY  
 HOLBROOK, NEW YORK, 11741  
 (PHONE) 1-800-533-0887 - (FAX) 516-218-9076

**SYSTEM 4 CROSS MUNTIN DETAIL**

DRAWN BY:

SCALE: 6"=1'-0"

DATE: 01/99

DWG#:

**4-G**