

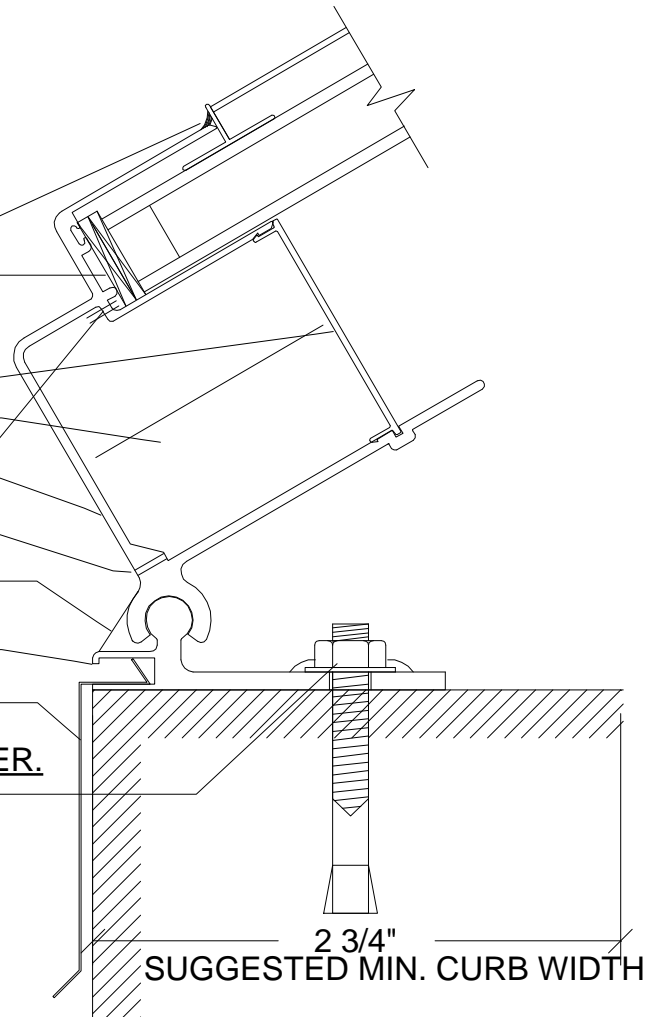
SILICONE SEALANT BY INSTALLER  
TWO SETS OF TWO SETTING BLOCKS  
PER LITE AT 1/4" POINTS.

EAVE TRIM  
OPTIONAL INSULATION BY INSTALLER  
CONT. EXTR'D ALUM. EAVE BAR  
\*\*ONE 1/8"Ø WEEP HOLE AT EACH SIDE  
OF EACH BAR.

SEALANT AT ALL EXTERIOR ALUM SEAMS  
BY INSTALLER

CONT. EXTR'D ALUM. EAVE ANCHOR  
.020 ALUM. SILL FLASHING

ADEQUATE 3/8"Ø FASTENERS BY INSTALLER.  
SEALANT OVER ALL FASTENER HEADS,  
BUTT JOINTS OF ALUM &  
OVERLAPPING SEAMS OF SILL FLASHING  
(USE ANCHOR BOLT-TYPE FASTENER-  
WEDGE ANCHOR OR HANGER BOLT)



FOUR SEASONS SOLAR PRODUCTS CORP.

5005 VETERANS MEMORIAL HIGHWAY  
HOLBROOK, NEW YORK, 11741  
(PHONE) 1-800-533-0887 - (FAX) 516-563-4010

SYSTEM 4 SKYLIGHTS SILL DETAILS

DRAWN BY:

SCALE: 6"=1'-0"

DATE: 01/99

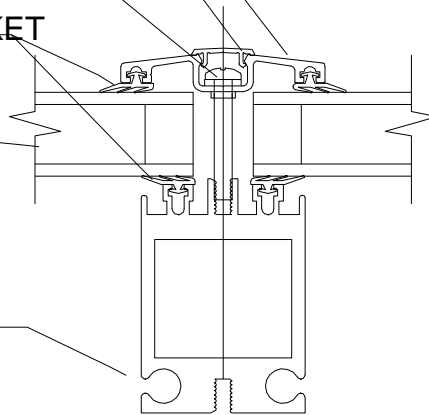
DWG#:

SKY4-A

CONT. EXTR'D ALUM.  
GLAZING CAP (5GC)  
CONT. EXTR'D ALUM.  
BEAUTY CAP  
#10 x 1 1/4" S.S. SCREW W/  
THERMAL BUSHING  
CONT. EXTRUDED GASKET

7/8" CODE 77  
INSULATED GLASS

CONT. EXTR'D (4HBA)  
ALUM. RAFTER



**FOUR SEASONS SOLAR PRODUCTS CORP.**

5005 VETERANS MEMORIAL HIGHWAY  
HOLBROOK, NEW YORK, 11741  
(PHONE) 1-800-533-0887 - (FAX) 516-563-4010

**SYSTEM 4 SKYLIGHTS COMMON RAFTER DETAILS**

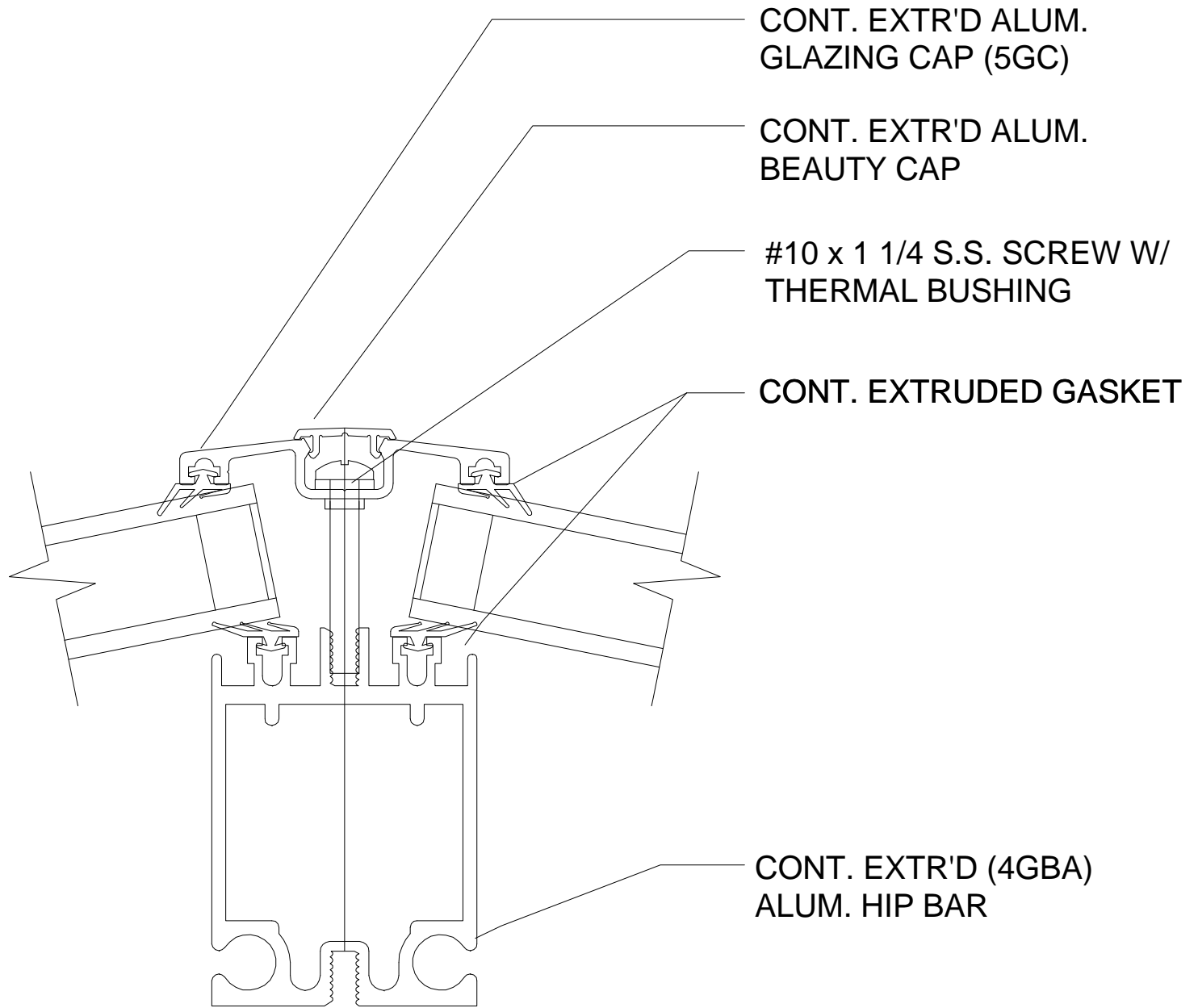
DRAWN BY:

SCALE: 1'-0"=1'-0"

DATE: 01/99

DWG#:

**SKY4-B**



CONT. EXTR'D ALUM.  
GLAZING CAP (5GC)

CONT. EXTR'D ALUM.  
BEAUTY CAP

#10 x 1 1/4 S.S. SCREW W/  
THERMAL BUSHING

CONT. EXTRUDED GASKET

CONT. EXTR'D (4GBA)  
ALUM. HIP BAR

**FOUR SEASONS SOLAR PRODUCTS CORP.**  
5005 VETERANS MEMORIAL HIGHWAY  
HOLBROOK, NEW YORK, 11741  
(PHONE) 1-800-533-0887 - (FAX) 516-563-4010

**SYSTEM 4 SKYLIGHTS HIP RAFTER DETAILS**

DRAWN BY:

SCALE: 1'-0"=1'-0"

DATE: 01/99

DWG#:

**SKY4-C**

#8 X 1/2" AS NECESSARY TO  
FASTEN RIDGE CAP

ALUM RIDGE CAP

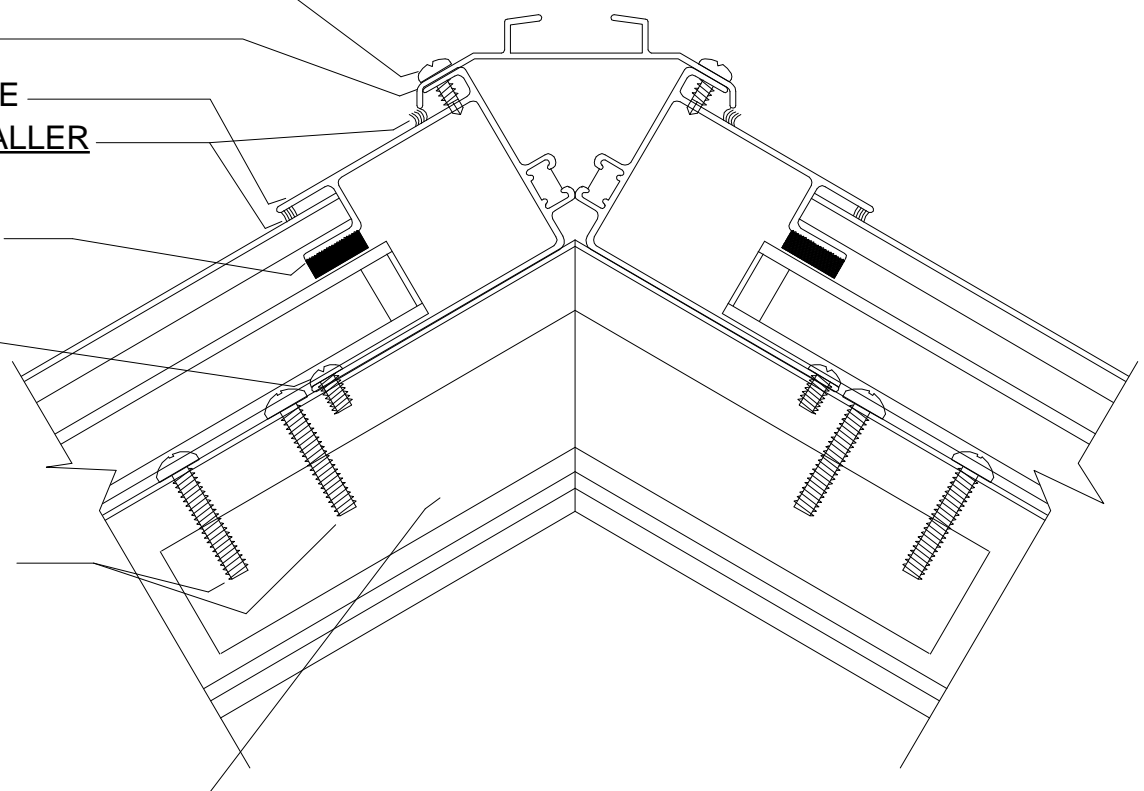
CONT. ALUM RIDGE  
SEALANT BY INSTALLER

1/4" COPOLYMER  
TAPE

#10 X 3/8"  
SCREW AT C/L  
OF EACH  
GLAZING BAR

FOUR #10 X 1 1/4"  
SELF TAPPING  
SCREWS PER  
RIDGE  
CONNECTIONS

INTERNAL SPLICE  
CONNECTOR



FOUR SEASONS SOLAR PRODUCTS CORP.  
5005 VETERANS MEMORIAL HIGHWAY  
HOLBROOK, NEW YORK, 11741  
(PHONE) 1-800-533-0887 - (FAX) 516-563-4010

SYSTEM 4 SKYLIGHTS RIDGE DETAILS

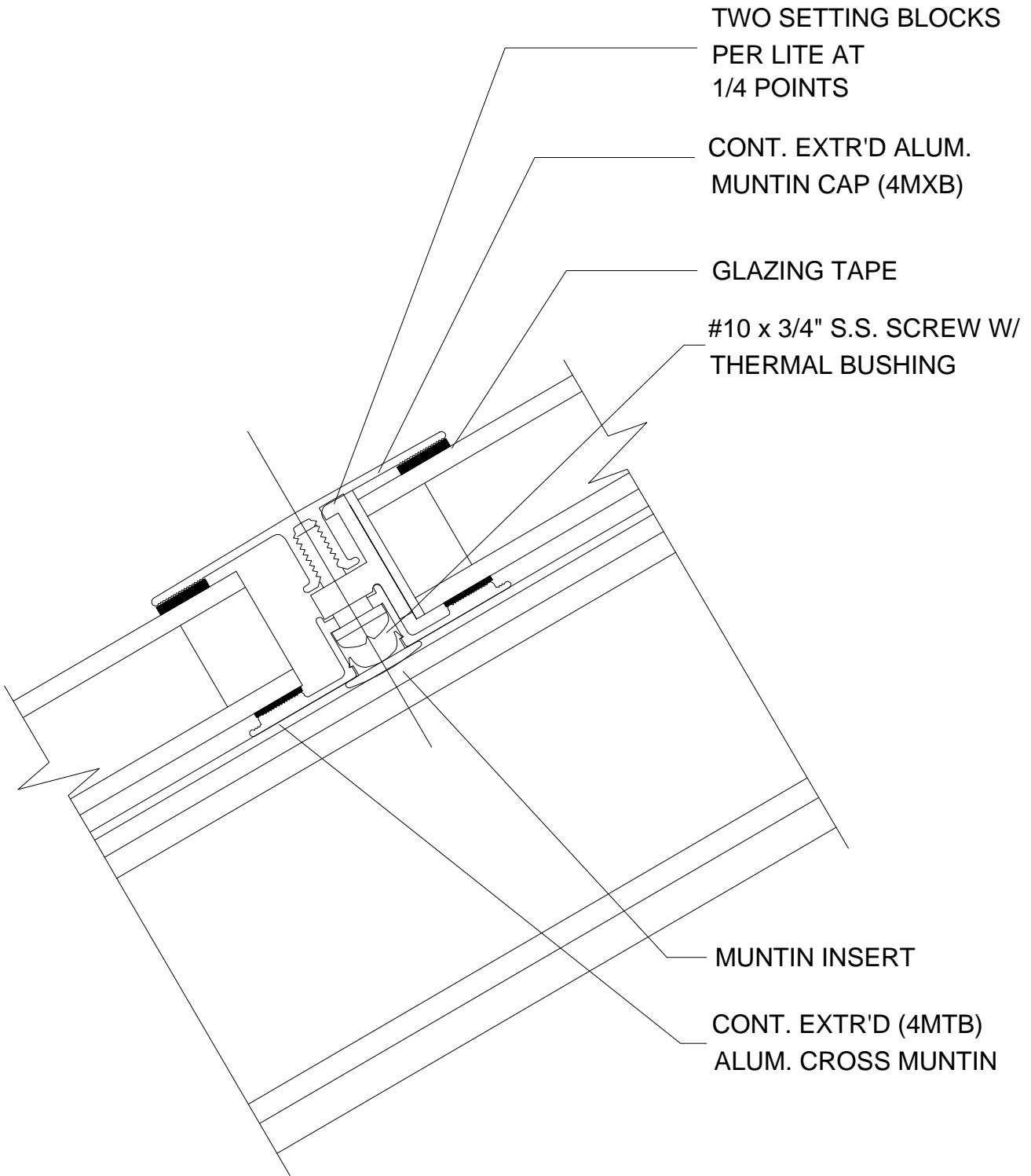
DRAWN BY:

SCALE: 6"=1'-0"

DATE: 01/99

DWG#:

SKY4-D



TWO SETTING BLOCKS  
PER LITE AT  
1/4 POINTS

CONT. EXTR'D ALUM.  
MUNTIN CAP (4MXB)

GLAZING TAPE

#10 x 3/4" S.S. SCREW W/  
THERMAL BUSHING

MUNTIN INSERT

CONT. EXTR'D (4MTB)  
ALUM. CROSS MUNTIN

**FOUR SEASONS SOLAR PRODUCTS CORP.**

5005 VETERANS MEMORIAL HIGHWAY  
HOLBROOK, NEW YORK, 11741  
(PHONE) 1-800-533-0887 - (FAX) 516-563-4010

**SYSTEM 4 SKYLIGHTS CROSS MUNTIN DETAILS**

DRAWN BY:

SCALE: 1'-0"=1'-0"

DATE: 01/99

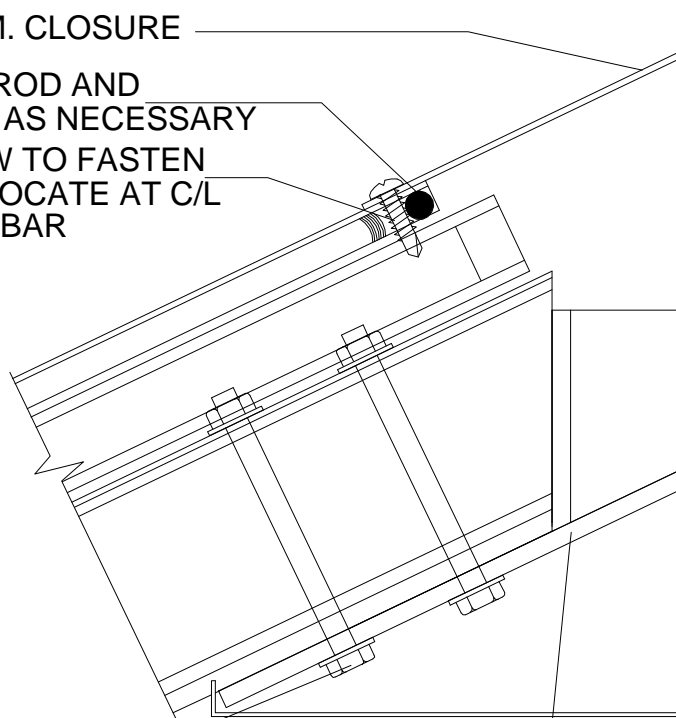
DWG#:

**SKY4-E**

.040 ALUM. CLOSURE

BACKER ROD AND  
SEALANT AS NECESSARY

#8 SCREW TO FASTEN  
COVER. LOCATE AT C/L  
OF EACH BAR



TWO 1/4" x 3" S.S. BOLTS (FHDW10024) PER HIP BAR  
TWO S.S. WASHERS PER BOLT.

3/16" THICK ALUM.  
COMPRESSION RING

.040 ALUM. CLOSURE

**FOUR SEASONS SOLAR PRODUCTS CORP.**

5005 VETERANS MEMORIAL HIGHWAY  
HOLBROOK, NEW YORK, 11741  
(PHONE) 1-800-533-0887 - (FAX) 516-563-4010

**SYSTEM 4 SKYLIGHTS COMPRESSION RING DETAILS**

DRAWN BY:

SCALE: 6"=1'-0"

DATE: 01/99

DWG#:

**SKY4-F**