

FOUR SEASONS SOLAR PRODUCTS CORP.

5005 VETERANS MEMORIAL HIGHWAY
 HOLBROOK, NEW YORK, 11741
 (PHONE) 1-800-533-0887 - (FAX) 516-218-9076

SYSTEM 4 MODULAR SILL DETAIL

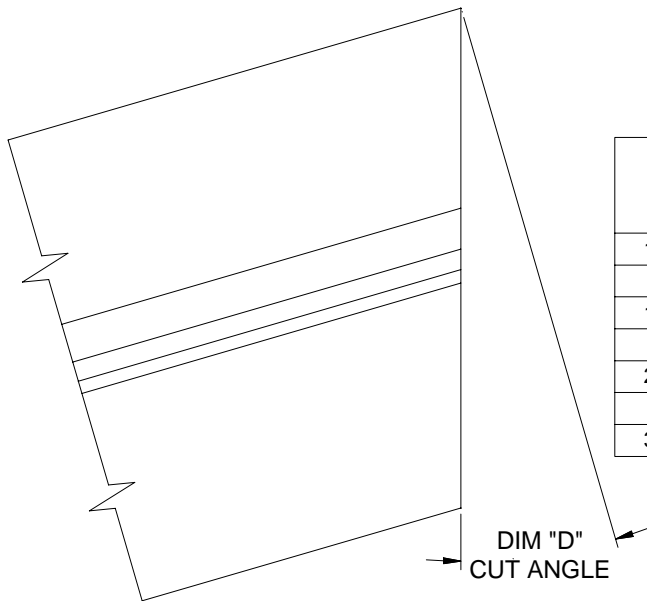
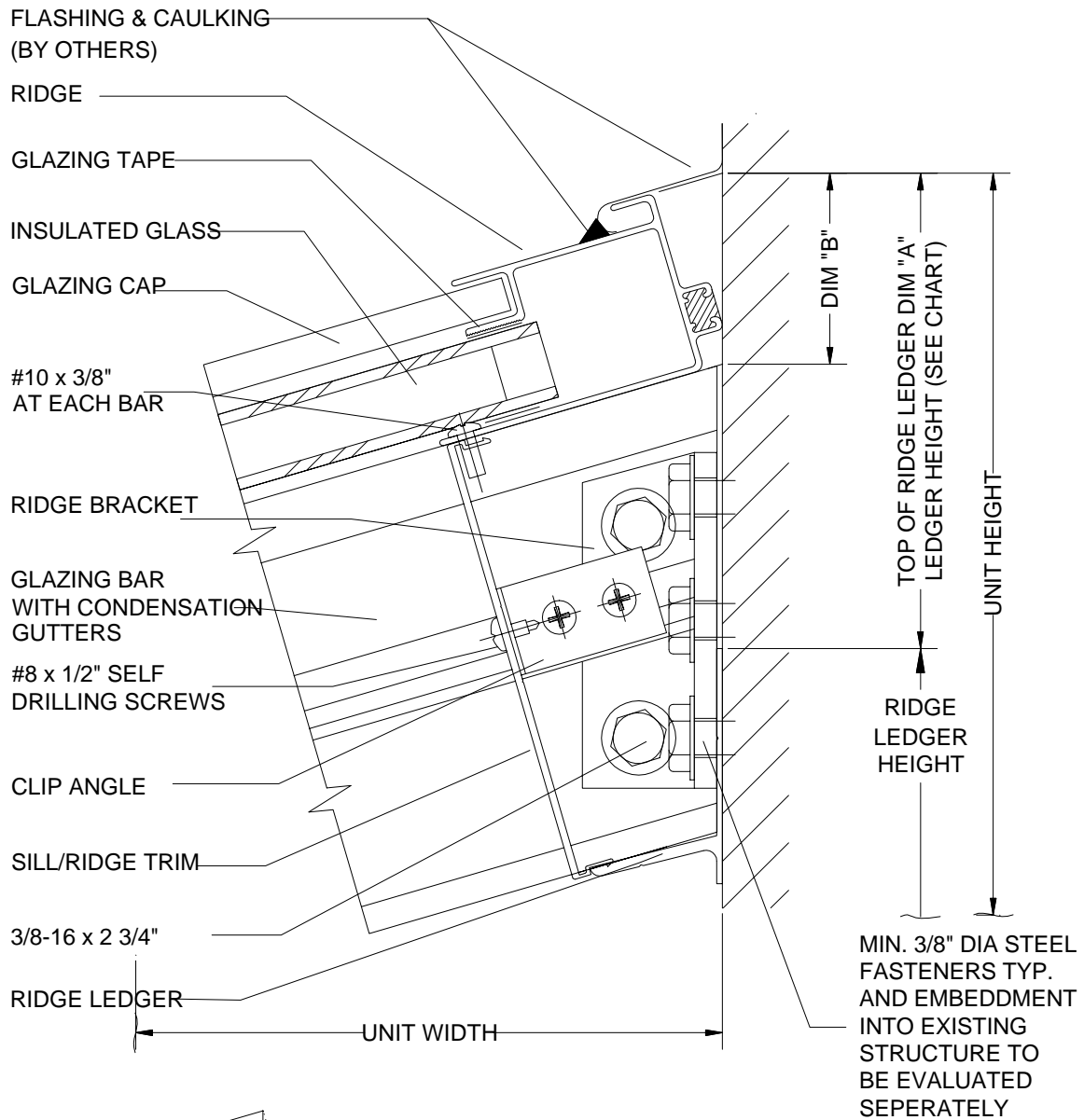
DRAWN BY:

SCALE: 6"=1'-0"

DATE: 05/99

DWG#:

4M-A-1



ROOF SLOPE	DIM "A" TOP OF LEDGER	DIM "B"	DIM "C"	DIM "D" CUT ANGLE
1/2 IN 12	4 13/16"	2 1/16"	1 3/16"	2 1/2°
1 IN 12	4 7/8"	2 1/16"	1 1/8"	4 3/4°
1 1/2 IN 12	4 15/16"	2 1/16"	1 1/8"	7 1/8°
2 IN 12	5 1/16"	2 1/16"	1 1/8"	9 1/2°
2 1/2 IN 12	5 1/8"	2 1/8"	1 1/8"	11 3/4°
3 IN 12	5 3/16"	2 1/8"	1 1/8"	14°
3 1/2 IN 12	5 3/8"	2 1/8"	1 1/8"	16 1/4°

FOUR SEASONS SOLAR PRODUCTS CORP.

5005 VETERANS MEMORIAL HIGHWAY
 HOLBROOK, NEW YORK, 11741
 (PHONE) 1-800-533-0887 - (FAX) 516-218-9076

SYSTEM 4 MODULAR RIDGE DETAIL

DRAWN BY:

SCALE: 6"=1'-0"

DATE: 05/99

DWG#:

4M-B

EXISTING STRUCTURE

CLOSED SILL

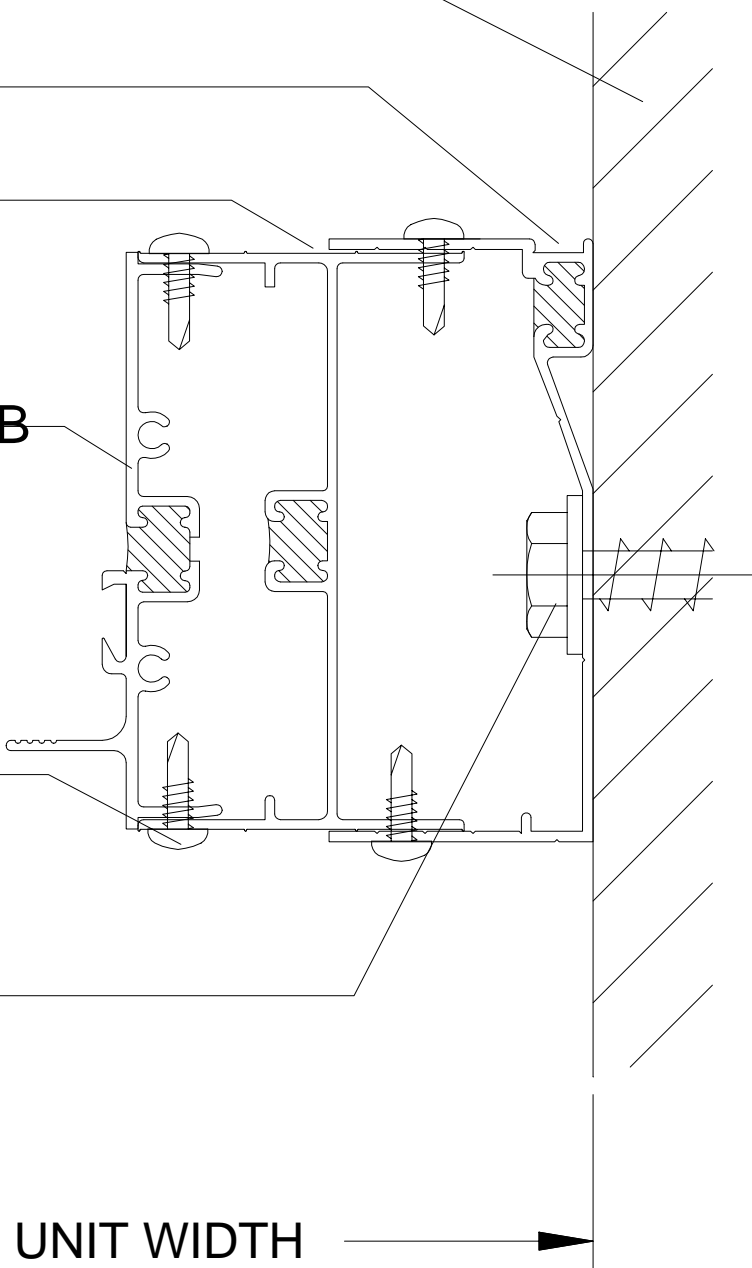
H-CHANNEL

FIXED WINDOW JAMB

#8 x 1/2" SELF
DRILLING SCREWS

MIN. 3/8" FASTENER
BY INSTALLER

UNIT WIDTH



FOUR SEASONS SOLAR PRODUCTS CORP.

5005 VETERANS MEMORIAL HIGHWAY
HOLBROOK, NEW YORK, 11741
(PHONE) 1-800-533-0887 - (FAX) 516-218-9076

SYSTEM 4 MODULAR WALL DETAIL

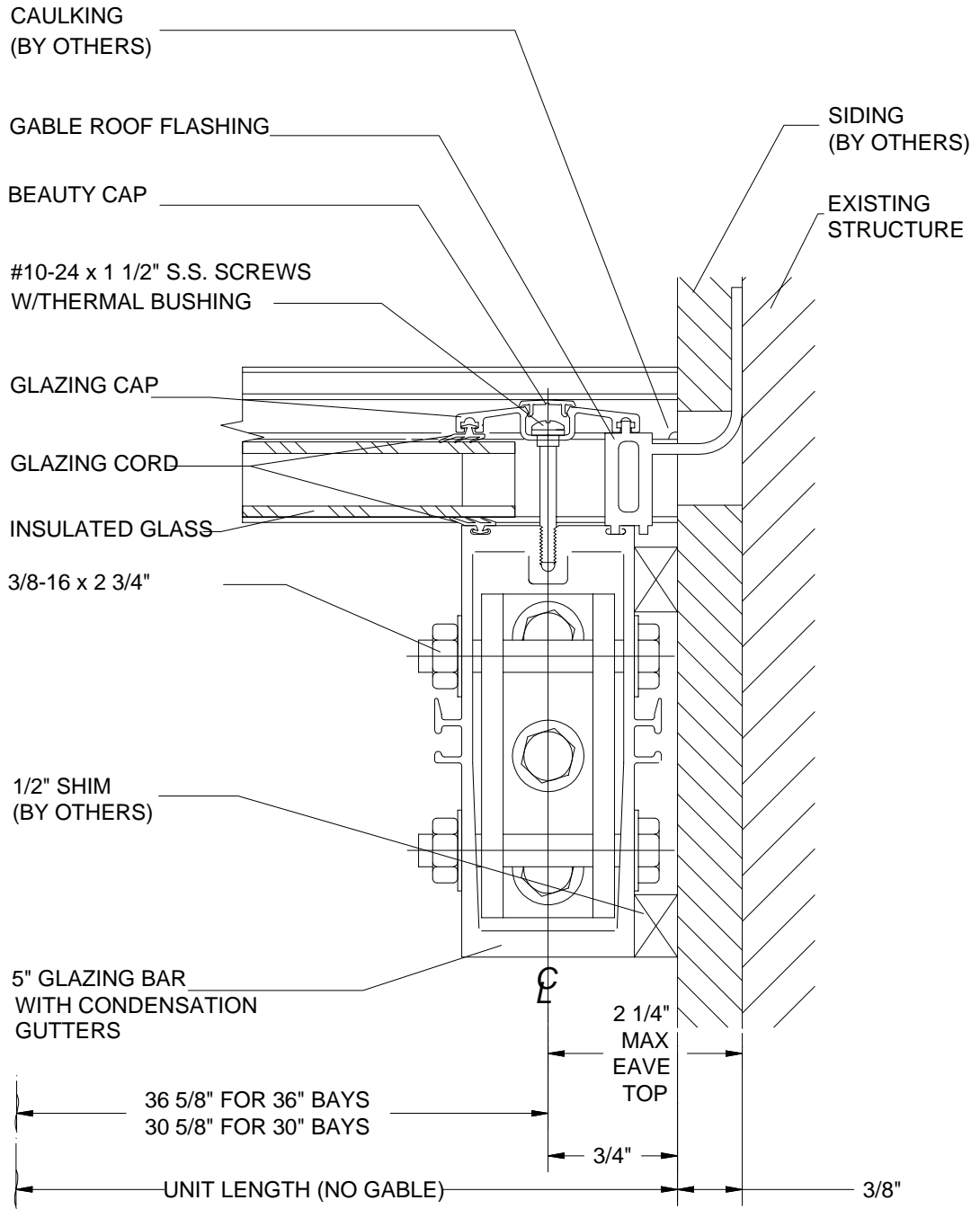
DRAWN BY:

SCALE: 1/4" = 1'-0"

DATE: 05/99

DWG#:

4M-D



FOUR SEASONS SOLAR PRODUCTS CORP.

5005 VETERANS MEMORIAL HIGHWAY
 HOLBROOK, NEW YORK, 11741
 (PHONE) 1-800-533-0887 - (FAX) 516-218-9076

SYSTEM 4 MODULAR NO GABLE END DETAIL

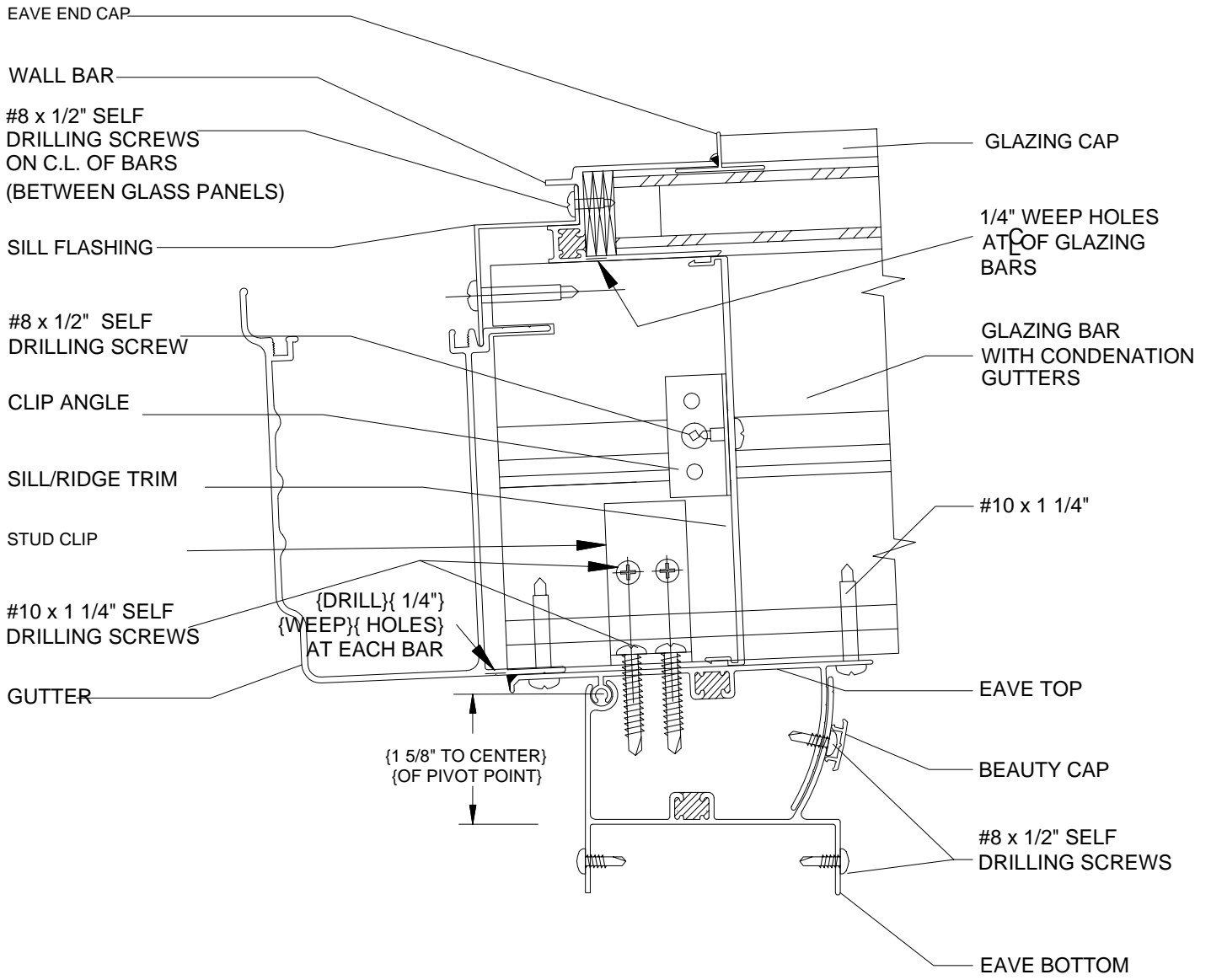
DRAWN BY:

SCALE: 6"=1'-0"

DATE: 05/99

DWG#:

4M-E



FOUR SEASONS SOLAR PRODUCTS CORP.

5005 VETERANS MEMORIAL HIGHWAY
 HOLBROOK, NEW YORK, 11741
 (PHONE) 1-800-533-0887 - (FAX) 516-218-9076

SYSTEM 4 MODULAR EAVE DETAIL

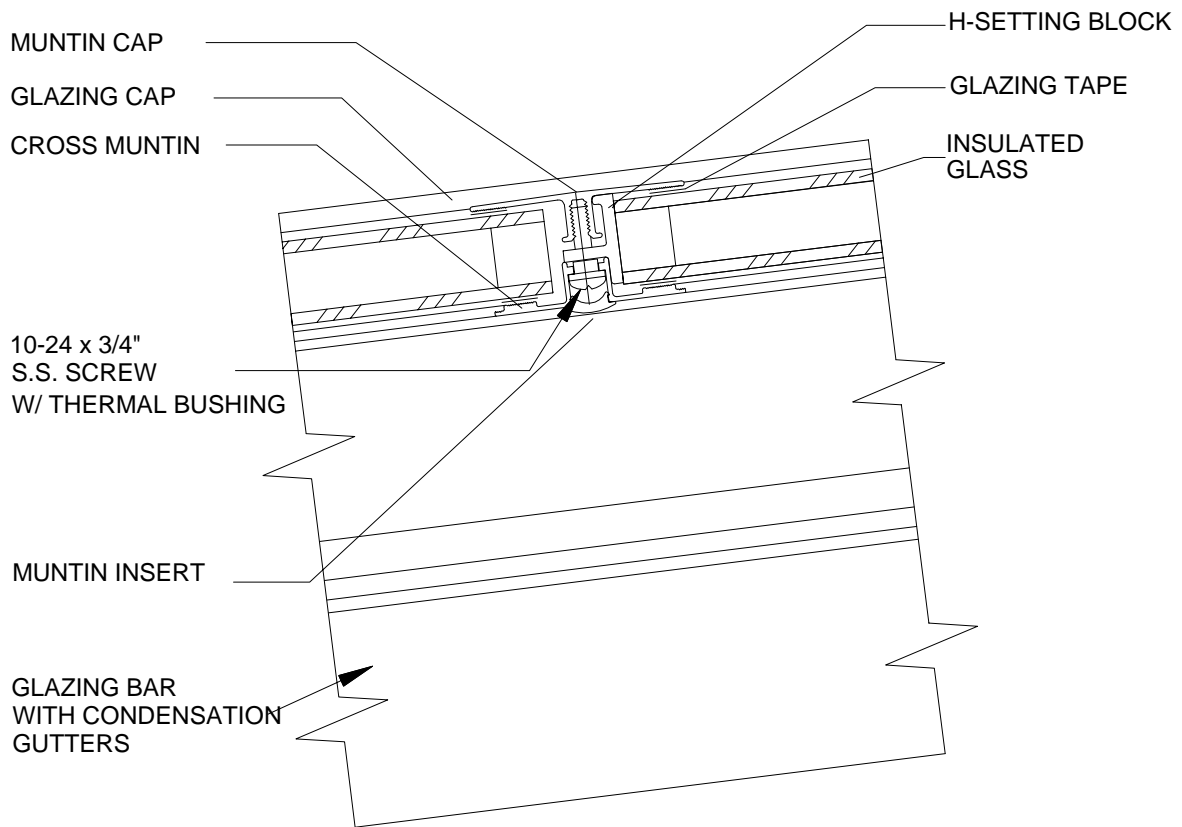
DRAWN BY:

SCALE: 6"=1'-0"

DATE: 05/99

DWG#:

4M-F



FOUR SEASONS SOLAR PRODUCTS CORP.

5005 VETERANS MEMORIAL HIGHWAY
 HOLBROOK, NEW YORK, 11741
 (PHONE) 1-800-533-0887 - (FAX) 516-218-9076

SYSTEM 4 MODULAR MUNTIN DETAIL

DRAWN BY:

SCALE: 6"=1'-0"

DATE: 05/99

DWG#:

4M-G