

FOUR SEASONS SOLAR PRODUCTS CORP.

5005 VETERANS MEMORIAL HIGHWAY
 HOLBROOK, NEW YORK, 11741
 (PHONE) 1-800-533-0887 - (FAX) 516-218-9076

SYSTEM 4 CONSERVATORY SILL DETAIL

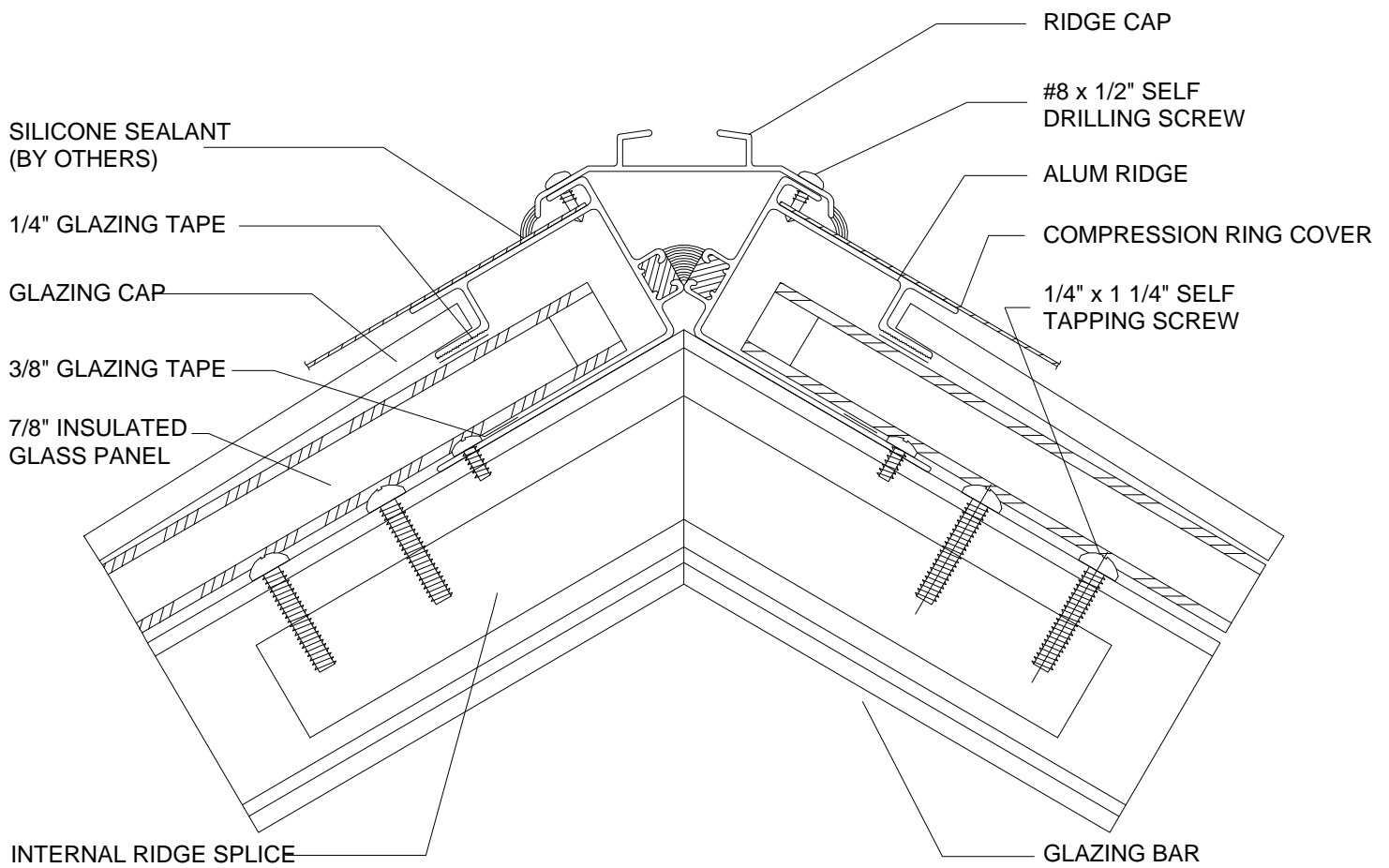
DRAWN BY:

SCALE:
 1'-0"=1'-0"

DATE: 05/99

DWG#:

4C-A



FOUR SEASONS SOLAR PRODUCTS CORP.

5005 VETERANS MEMORIAL HIGHWAY
 HOLBROOK, NEW YORK, 11741
 (PHONE) 1-800-533-0887 - (FAX) 516-218-9076

SYSTEM 4 CONSERVATORY RIDGE DETAIL

DRAWN BY:

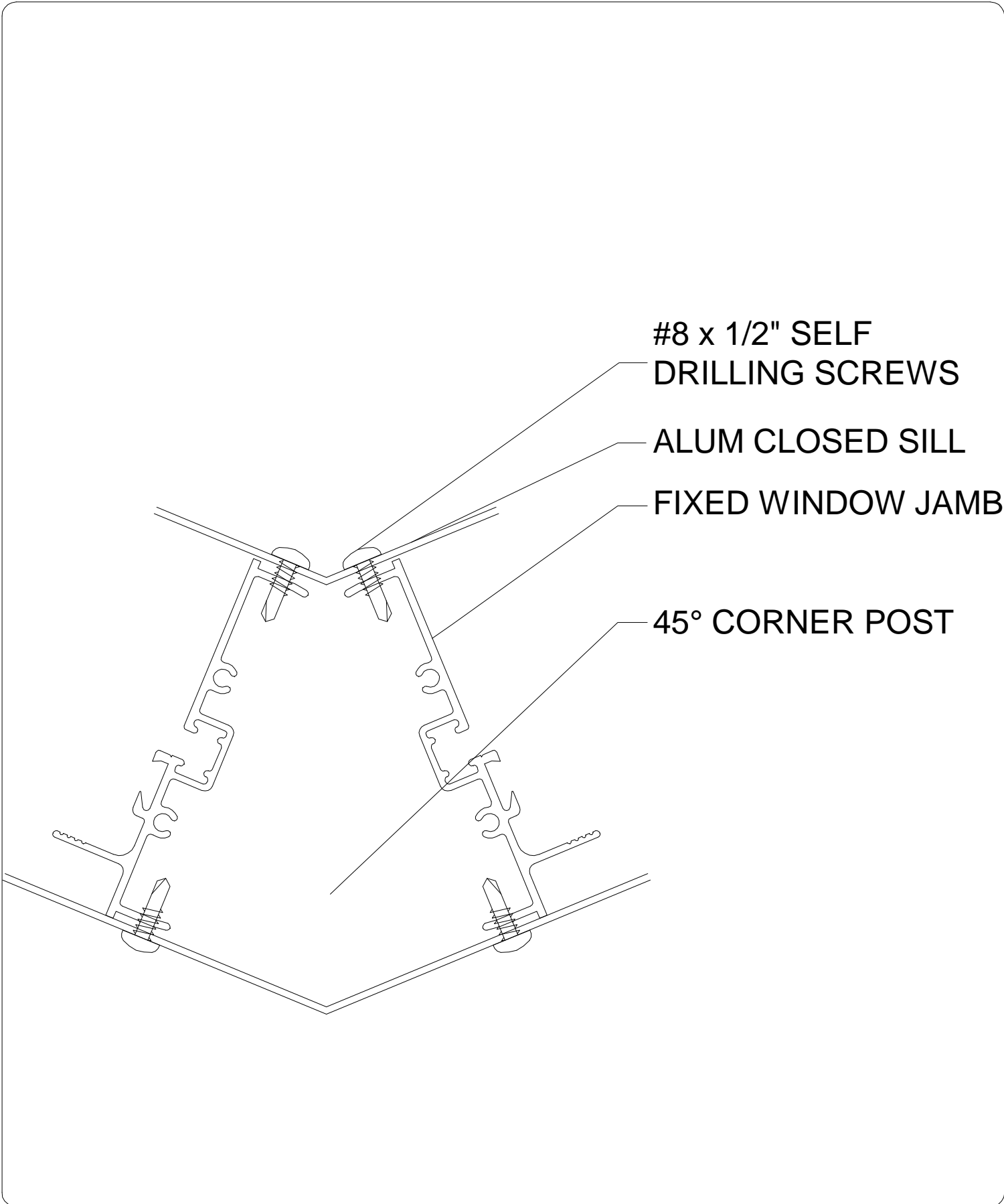
SCALE:

6"=1'-0"

DATE: 05/99

DWG#:

4C-B



#8 x 1/2" SELF
DRILLING SCREWS

ALUM CLOSED SILL

FIXED WINDOW JAMB

45° CORNER POST

FOUR SEASONS SOLAR PRODUCTS CORP.

5005 VETERANS MEMORIAL HIGHWAY
HOLBROOK, NEW YORK, 11741
(PHONE) 1-800-533-0887 - (FAX) 516-218-9076

SYSTEM 4 CONSERVATORY 45° CORNER DETAIL

DRAWN BY:

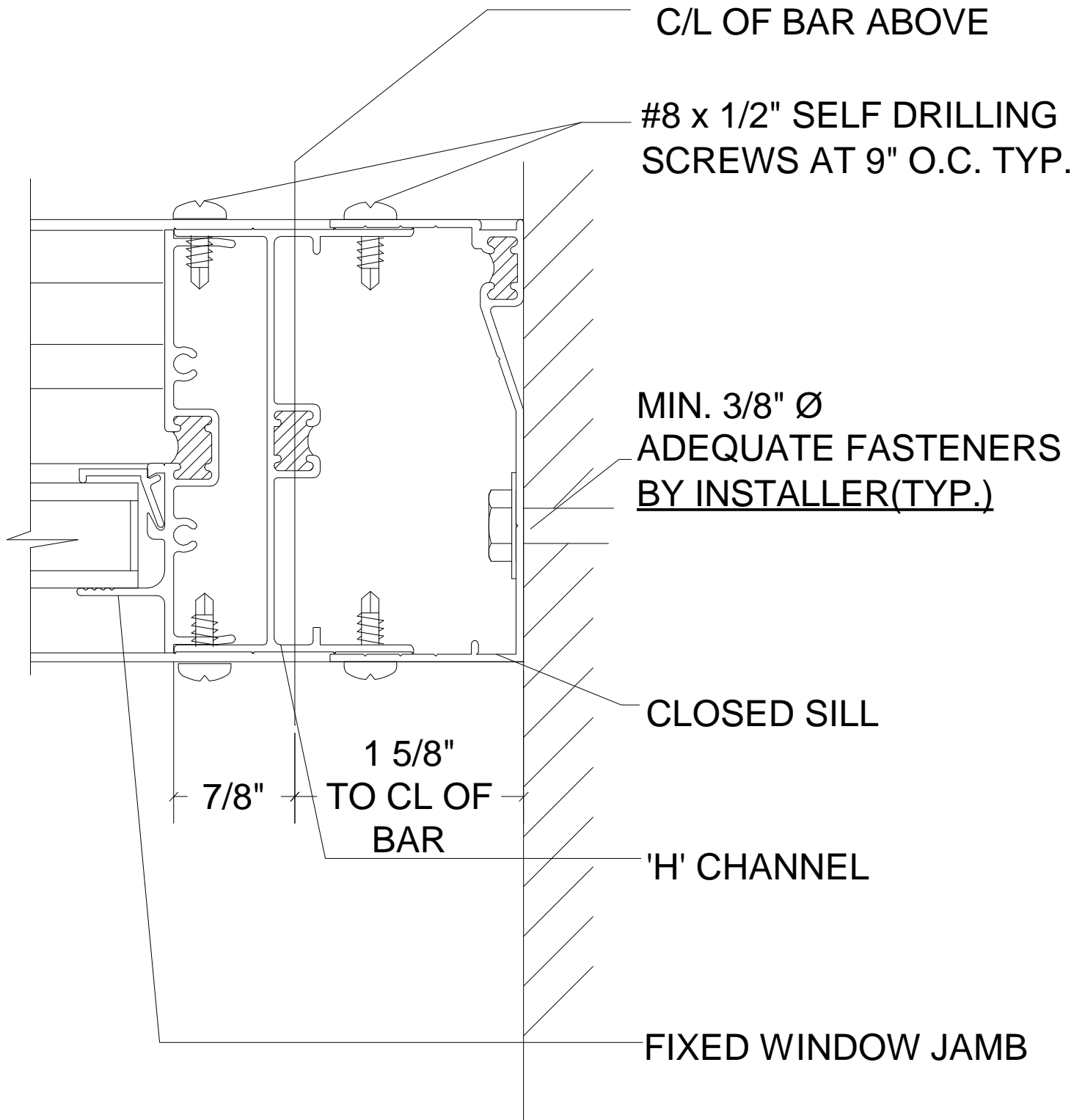
SCALE:

1'-0"=1'-0"

DATE: 05/99

DWG#:

4C-C



FOUR SEASONS SOLAR PRODUCTS CORP.
 5005 VETERANS MEMORIAL HIGHWAY
 HOLBROOK, NEW YORK, 11741
 (PHONE) 1-800-533-0887 - (FAX) 516-218-9076

SYSTEM 4 CONSERVATORY WALL DETAIL

DRAWN BY:

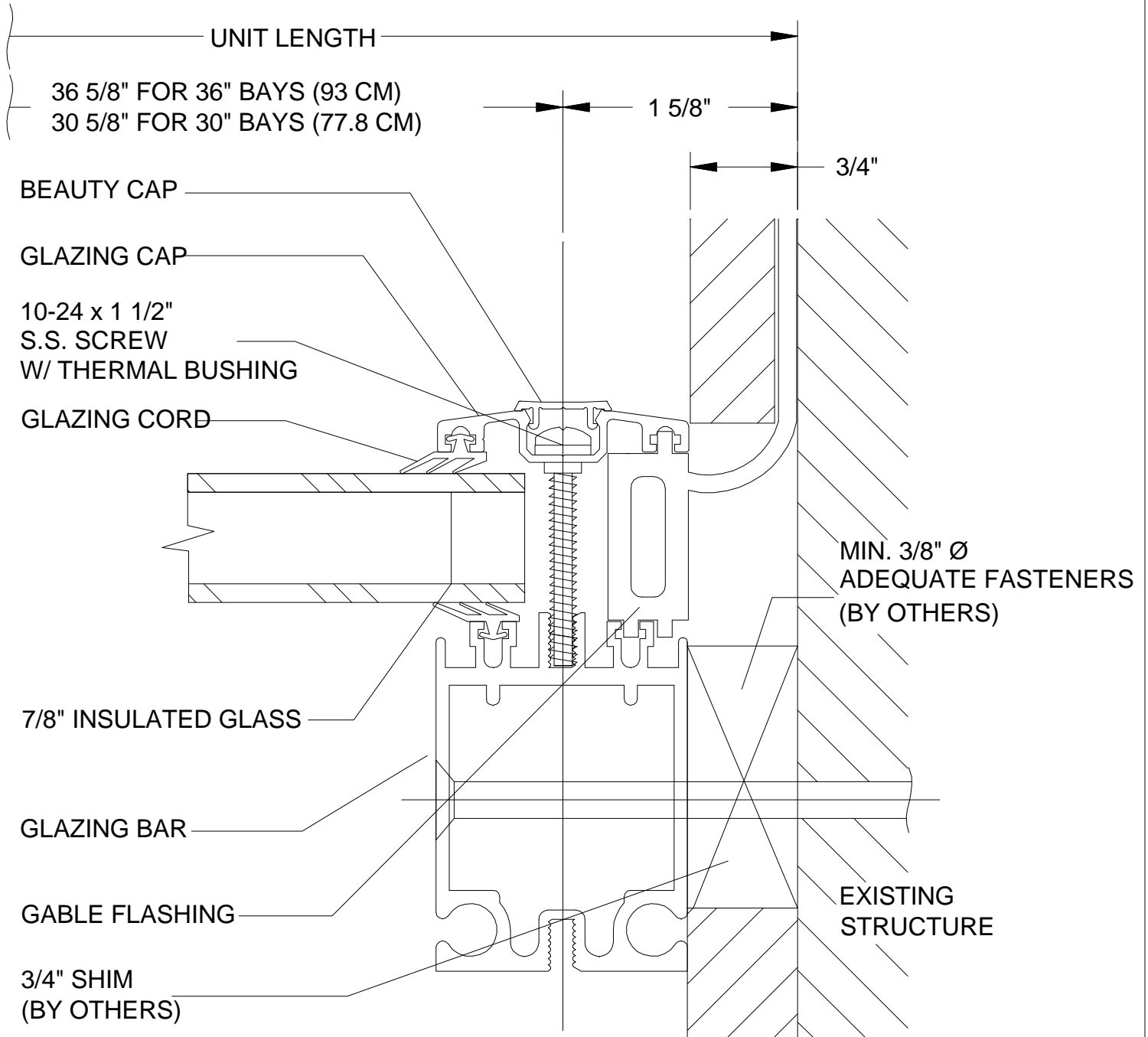
SCALE:

1'-0"=1'-0"

DATE: 05/99

DWG#:

4C-D



FOUR SEASONS SOLAR PRODUCTS CORP.

5005 VETERANS MEMORIAL HIGHWAY
HOLBROOK, NEW YORK, 11741
(PHONE) 1-800-533-0887 - (FAX) 516-218-9076

SYSTEM 4 CONSERVATORY NO GABLE END DETAIL

DRAWN BY:

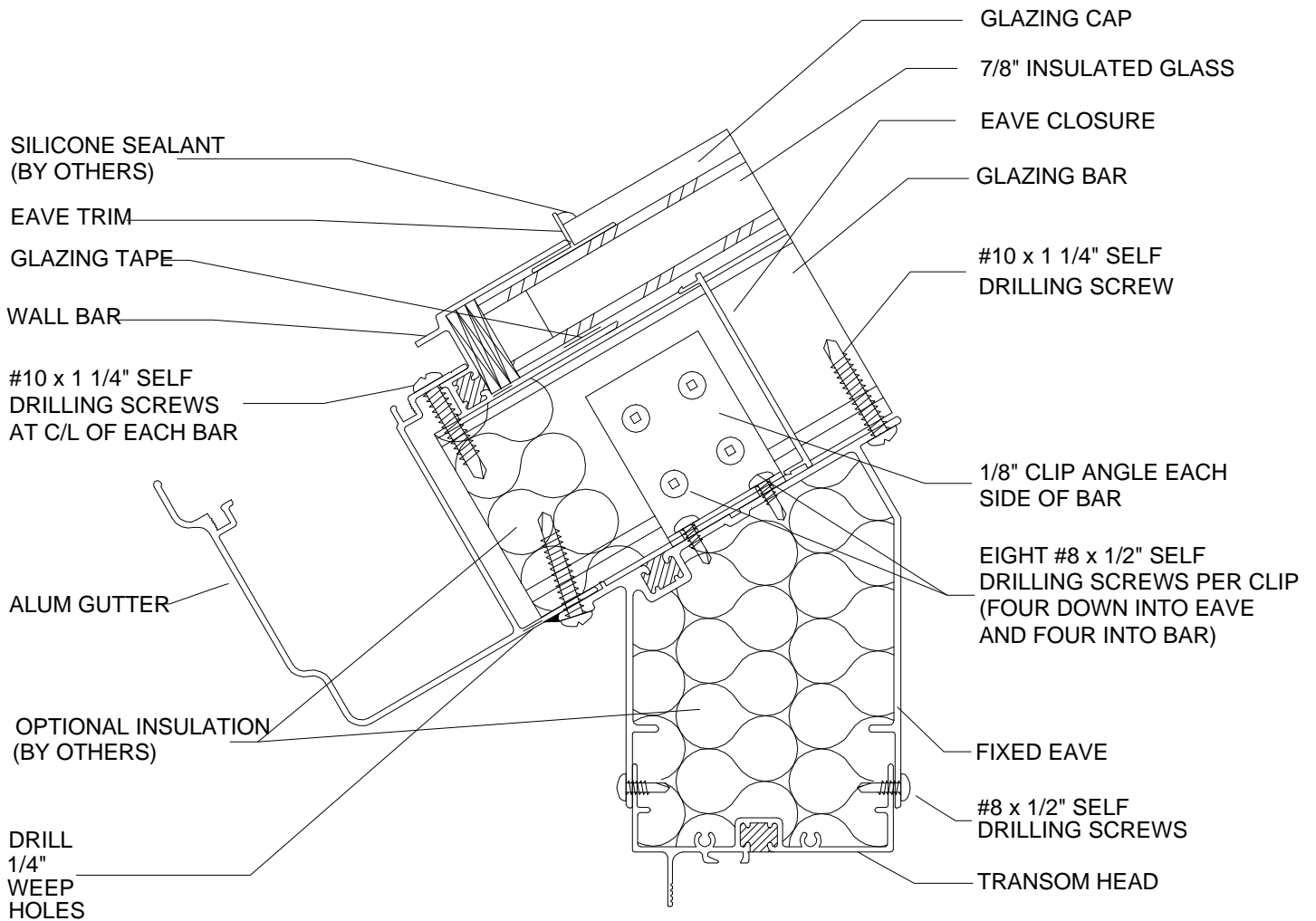
SCALE:

1'-0"=1'-0"

DATE: 05/99

DWG#:

4C-E



FOUR SEASONS SOLAR PRODUCTS CORP.

5005 VETERANS MEMORIAL HIGHWAY
 HOLBROOK, NEW YORK, 11741
 (PHONE) 1-800-533-0887 - (FAX) 516-218-9076

SYSTEM 4 CONSERVATORY EAVE DETAIL

DRAWN BY:

SCALE:

6"=1'-0"

DATE: 05/99

DWG#:

4C-F